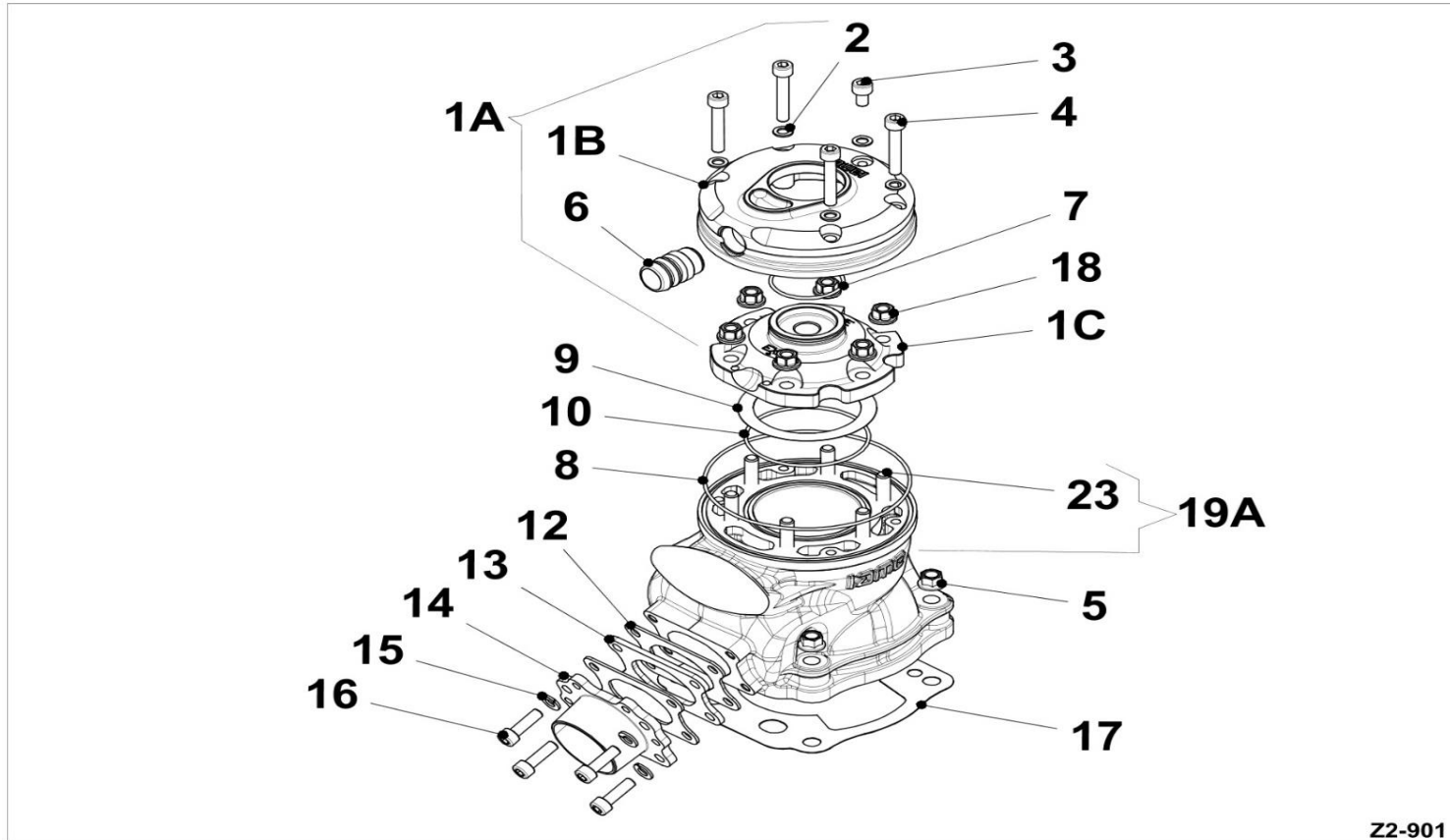


SCREAMER 3 - 40-EZ-24



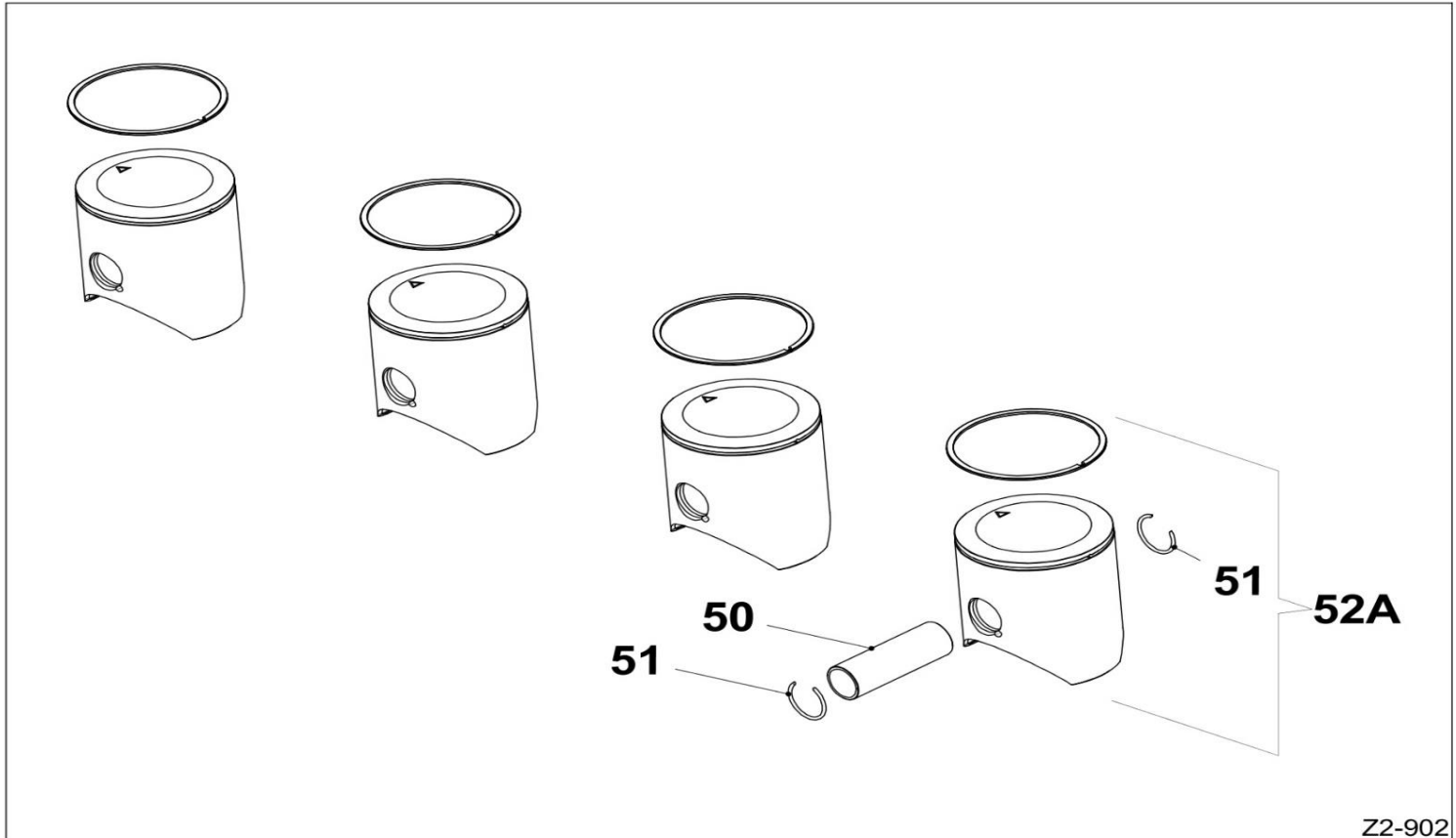
CYLINDER & CYLINDER HEAD



Z2-901

POS	COD	DESCR
01B	Z2NA41000	HEAD DOME COVER SCREAMER III
01C	Z2NA40101	HEAD DOME SCREAMER III K11
02	00345-K	KIT 20 M6 Cu WASHERS
03	00069-K	KIT 20 SCREWS TCCE M 6X10 INOX
04	00070-K	KIT 20 SCREWS TCCE M 6X35 INOX
05	F2NA20300	FLANGED NUT M8
06	F2NA40500	WATER PIPE FITTING
07	Z1NA42000	OR HEAD DOME SCREAMER '16
08	F2NA40300	OR 2400 101.32x1.78 VITON
09	IFA-40200-0.05	HEAD GASKET CU 0.05 REED/KZ
09	IFA-40200-0.10	HEAD GASKET CU 0.10 REED/KZ
09	IFA-40200-0.20	HEAD GASKET CU 0.20 REED/KZ
10	IFA-42200	HEAD GASKET INT. OR REEDST/KZ
12	Z2NA20500	EXHAUST MANIFOLD GASKET SCREAMER III '19
13	Z2NH20500	EXHAUST MANIFOLD SPACER
14	Z2NH02001	EXHAUST MANIFOLD SCREAMER III '19
15	00331-K	KIT 20 EXHAUST WASHERS M6
16	00044-K	KIT 20 ALLEN SCR. CYL. H. 6x20
17	Z2NB10400-0.05	CYLINDER BASE GASKET KZ 5/100
17	Z2NB10400-0.1	CYLINDER BASE GASKET KZ 1/10
17	Z2NB10400-0.2	CYLINDER BASE GASKET KZ 2/10
17	Z2NB10400-0.4	CYLINDER BASE GASKET KZ 4/10
17	Z2NB10400-0.5	CYLINDER BASE GASKET KZ 5/10
18	Z2NA20300	HEAD NUT M7 INOX
19A	Z2NA01001-C	CYLINDER SCREAMER III '21
23	Z2NA20400	STUD BOLT INOX M 7 X 39

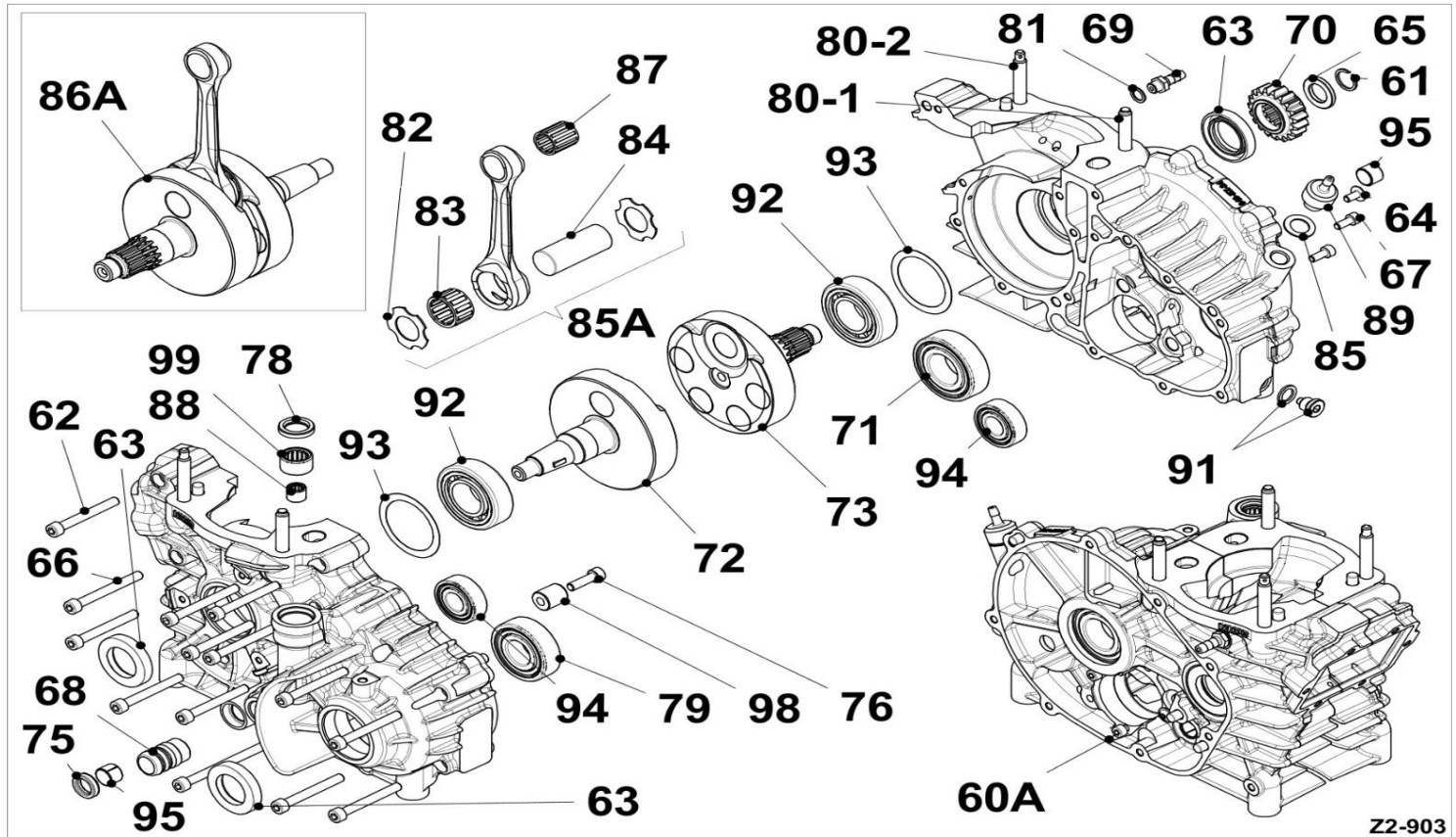
PISTON



Z2-902

POS	COD	DESCR
050	IFA-20950	PISTON PIN 15x45
051	IFA-21050	CIRCLIP REEDSTER/KZ
052A	Z2NA20600-53.93C	PISTON KZ 53.93 COMPL.
052A	Z2NA20600-53.94C	PISTON KZ 53.94 COMPL
052A	Z2NA20600-53.95C	PISTON KZ 53.95 COMPL
052A	Z2NA20600-53.96C	PISTON KZ 53.96 COMPL.

CRANKCASE & CRANKSHAFT

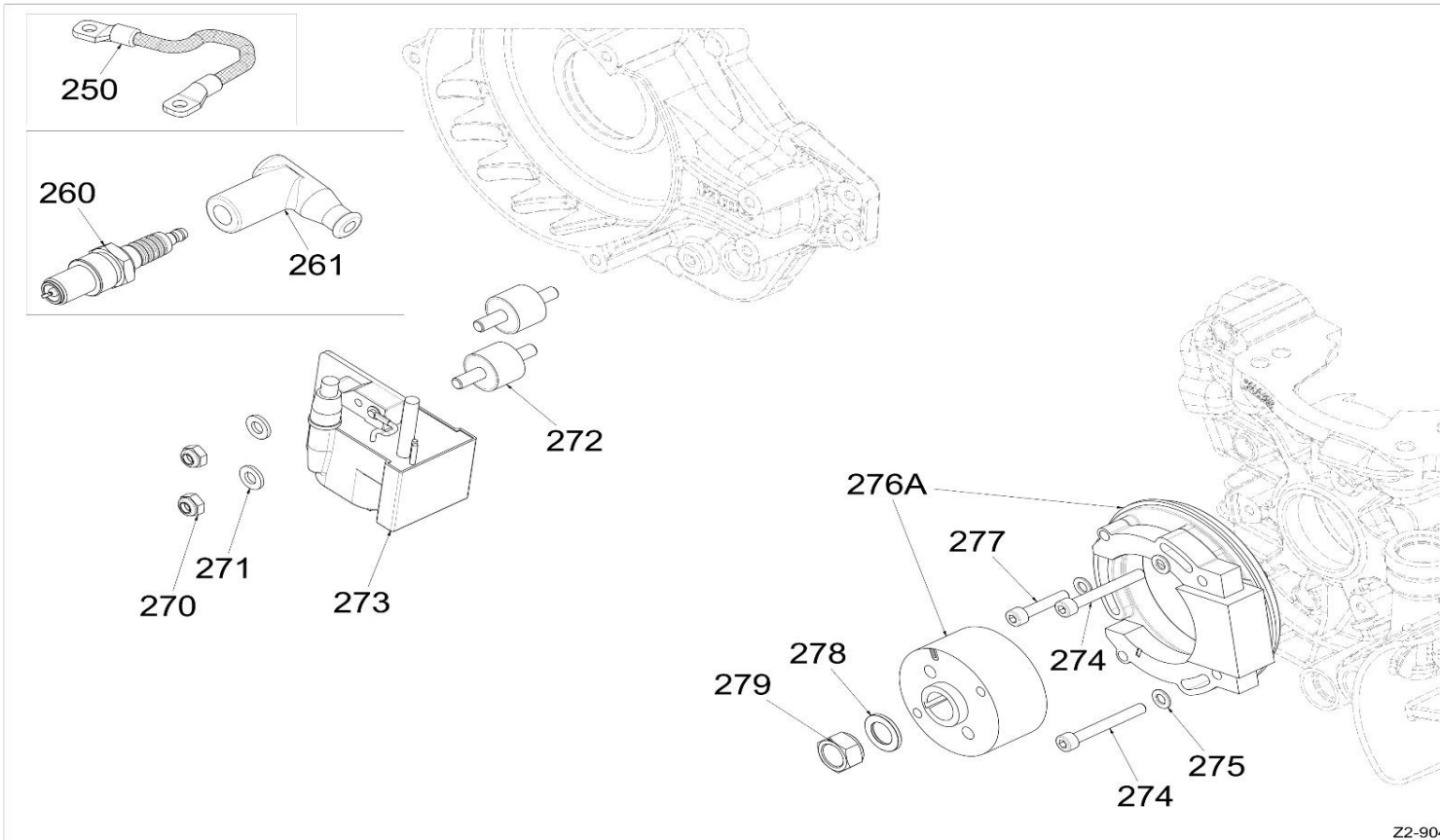


Z2-903

POS	COD	DESCR
060A	Z2NB01000	CRANKCASE SCREAMER III '19
61	00389	SEGER RING SW 15
62	00050-K	KIT OF 20 ALLEN SCREWS 6x50
63	X30125425A	OIL SEAL MAGN./DRIVE SIDE
64	00111-K	20 SCREWS KIT TORX M5x10

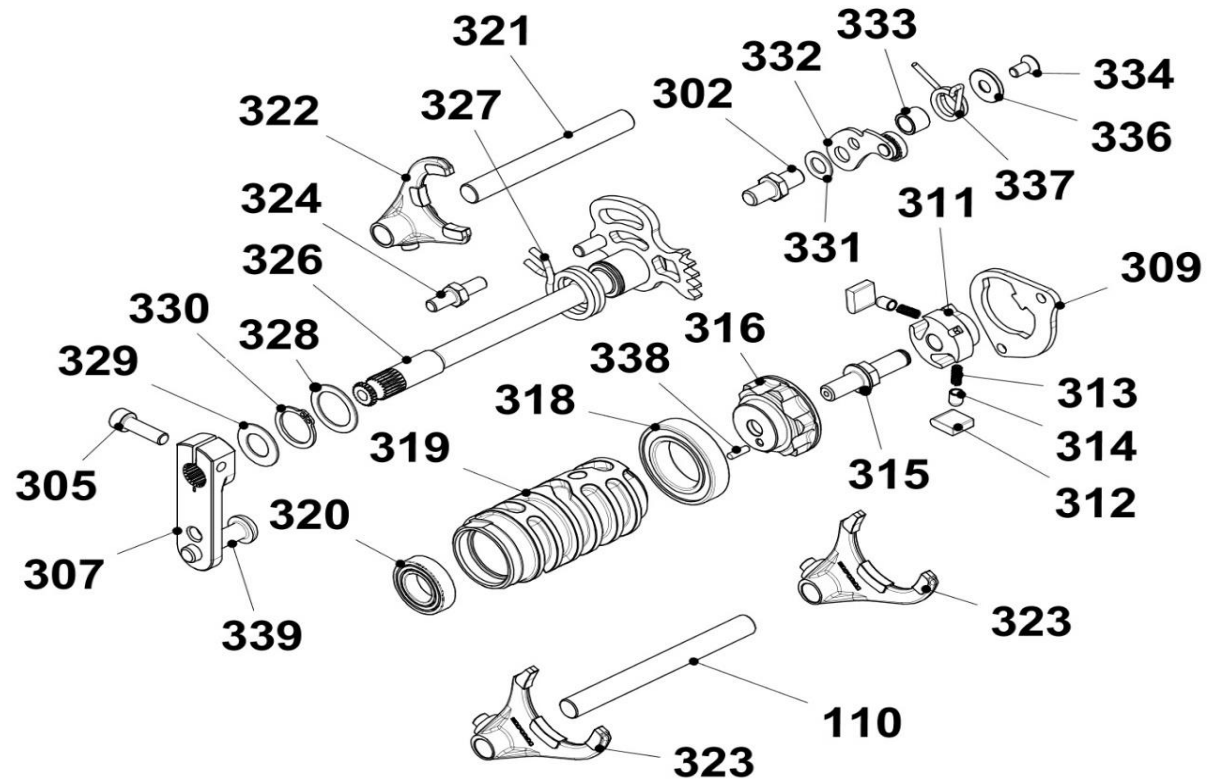
65	IZC-22500	PRIMARY TRANS. GEAR SPACER
66	00051-K	KIT OF 20 ALLEN SCREWS 6x55
67	00035-K	KIT 20 ALLEN SCREWS 5x12
68	IFA-40500	WATER PIPE FITTING
69	D-95800	PRESSURE FITTING
70	IZC-22400	PRIMARY TRANSMISS. SPROCKET
71	35396-I	BALL BEARING 6205 TN9/C5
72	VACANT	VACANT
73	VACANT	VACANT
75	IZF-90115	OIL SEAL
76	00044-K	KIT 20 ALLEN SCR. CYL. H. 6x20
78	IZF-90125	OIL SEAL
79	10400-D	BALL BEARING 6204 C4
80/1	IFA-20200	STUDBOLT M8x51
80/2	IZA-20201	STUDBOLT M8x54 FOR SEALING
81	B-71805	PRESSURE Cu FITT. GASKET
82	X30125436	SILVER BRONZE WASHER
83	X30125431	BIG END CAGE
84	X30125450	CRANKPIN 20x48.8
85	IFG-60000	OIL DRAIN FITTING WASHER
85A	Z1NC50100-C	CONROD 110mm SCREAMER
86A	VACANT	VACANT
87	IFC-50350	SMALL END ROLLER CAGE
88	A-60865	ROLLER CAGE TaG
89	IFG-50001	OIL DRAIN / REFILL PLUG
91	IZF-90505	MAGNETIC PLUG TCEM M10x1
92	35398A	ROLLER BEARING 6205 BC1-1442D
93	30404	STEEL SHIM 0.15
93	30407	STEEL SHIM 0.10
94	IZF-90510	BALL BEARING SKF 6202 TN9/C4H
95	IZF-90110	BUSH MU TFP 1210
98	IZF-22300	SHIFTING DRUM SUPPORT
99	IZF-90410A	NEEDLE BEARING HK1412

IGNITION



POS	COD	DESCR
250	B-35805-A	COIL GROUND CABLE
260	10561-A	SPARK PLUG NGK BR10EG
261	10544	PVL SPARK PLUG CAP BLACK
270	00378-K	20 SELF LOCKING NUTS KIT M6
271	00302-K	KIT 20 WASHERS M6
272	B-35810	COIL DAMPENER
273	10026	PVL COIL
274	00039-K	KIT OF 20 ALLEN SCREWS 5x40
275	00301-K	KIT 20 WASHERS M5
276A	10016-A	PVL-SUPER IGNITION
277	00036-K	KIT OF 20 ALLEN SCREWS 5x30
278	D-75565	THRUST INT.WASHER H=1,8mm
279	10535	SPROCKET AND MAGNETO NUT

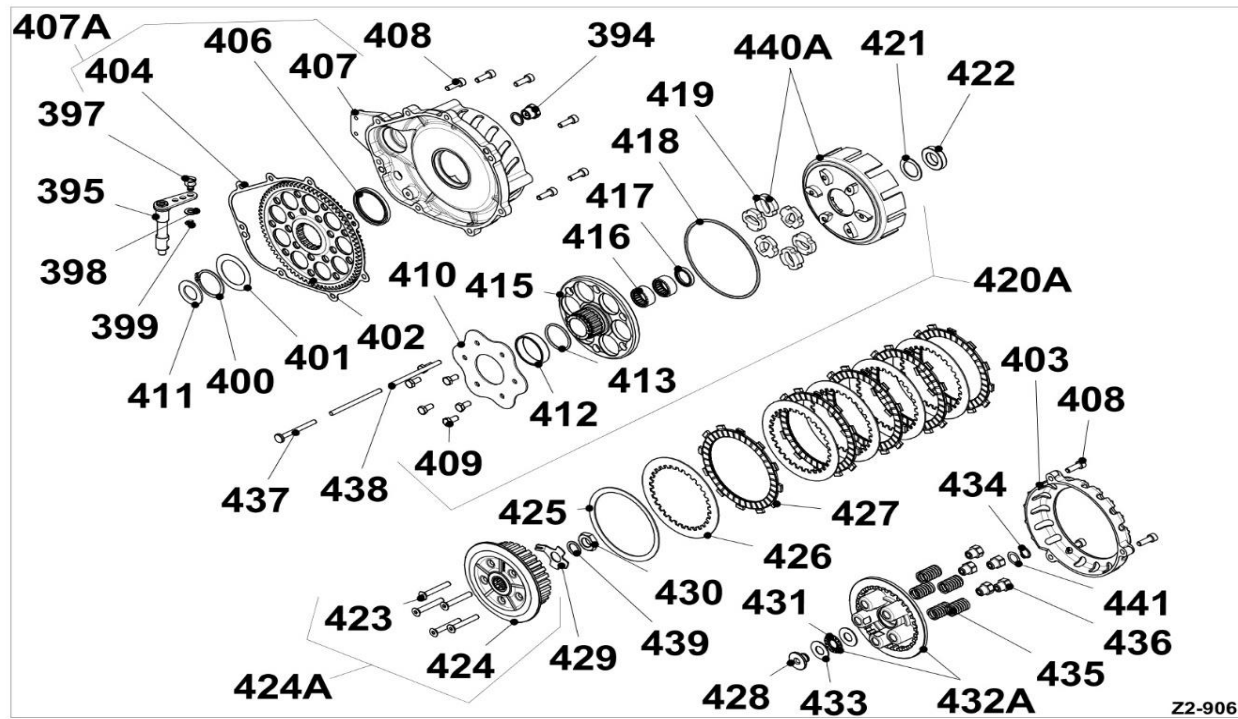
SELECTOR



Z2-905

POS	COD	DESCR
110	IZF-22800	FORKS GUIDE SHAFT
302	Z2NF24100	GEAR POSITION LEVER PIN
305	00044-K	KIT 20 ALLEN SCR. CYL. H. 6x20
307	Z2NF24900	SHIFT LEVER
309	Z2NF23800	RATCHET PLATE
311	Z2NF23000	RATCHET SUPPORT
312	IZF-23400	SHIFTING RATCHET
313	IZF-23601	RATCHET PUSH PAD
314	IZF-23500	PUSH ROD RATCHET
315	Z2NF22900	SHIFTER PIN
316	IZF-22000	PRESELECTOR CAM
318	IZF-90450	BALL BEARING 6905 T1xC3
319	Z2NF22200	SHIFT CAM
320	IZF-90455	BALL-BEARING 61902 T9C4
321	Z2NF22800	FORKS DRIVE SHAFT PRIMARY
322	Z2NF22400	SHIFTING PRIMARY FORK
323	IZF-22600	SHIFTER SECONDARY FORK
324	Z2NF24800	SELECTOR SPRING COUNTER PIN
326	Z2NF23100	SELECTOR SHAFT
327	Z2NF24000	PRESELECTOR SHAFT SPRING
328	Z2NF25700	STEEL SHIM SELECTOR
329	Z2NF90076	SELECTOR SHAFT BUSH
330	Z2NF90070	SEEGER / SHAFT 18 mm
331	Z2NF90075	STEEL SHIM GEAR POSITION LEVER
332	Z2NF24600	GEAR POSITION LEVER
333	Z2NF24500	BUSHING GEAR POSITION SPRING
334	00111-K	20 SCREWS KIT TORX M5x10
336	Z2NF24200	SPRING WASHER
337	Z2NF24700	GEAR POSITIONING LEVER SPRING
338	IZF-90085	NEEDLE N3x9.8 AB2

CLUTCH

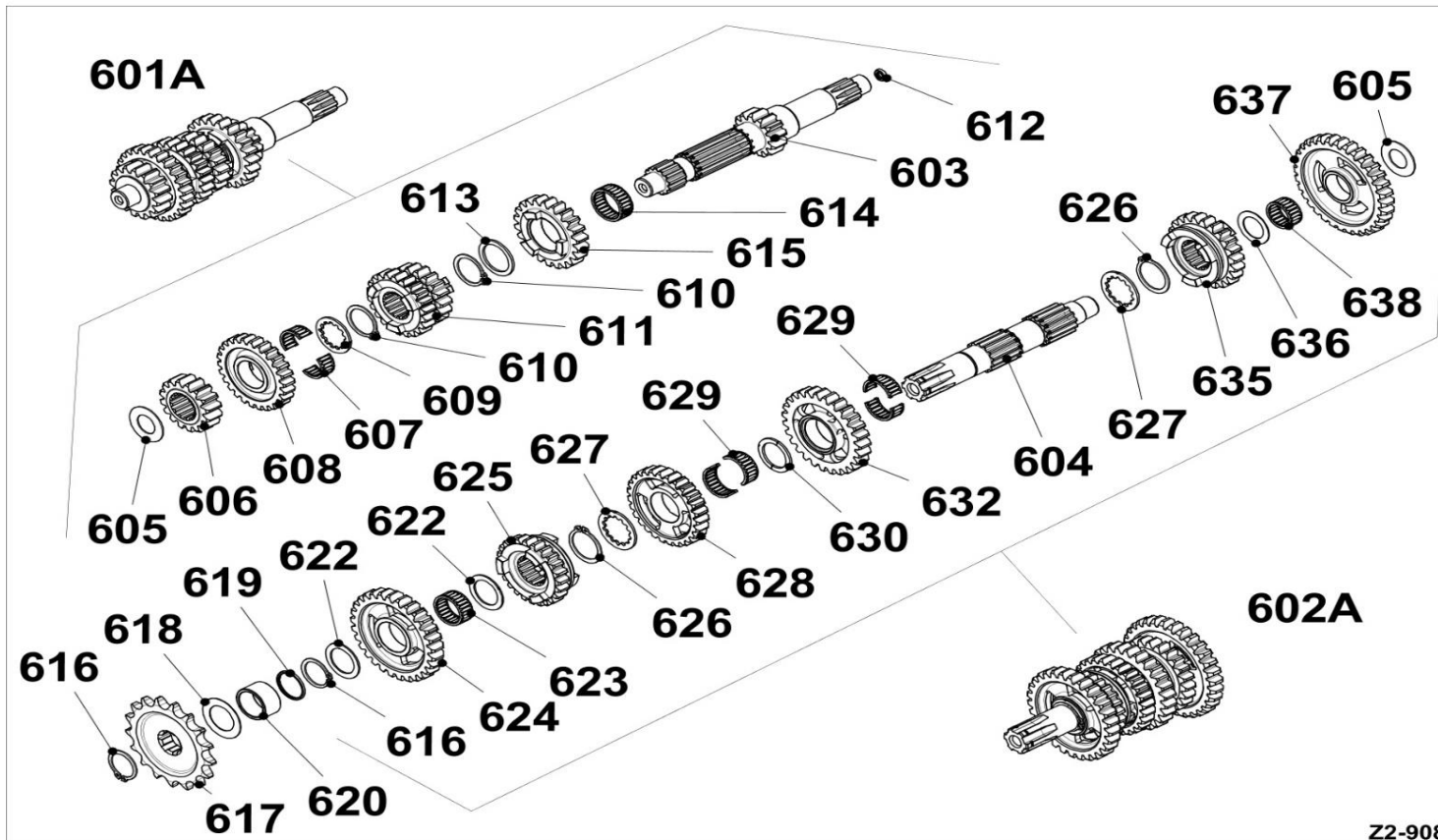


Z2-906

POS	COD	DESCR
394	IZB-90000	OIL LEVEL GAUGE
395	Z2NF01800	CLUTCH LEVER
396	Z2NF90065	SEEGER UNI 7434 - 5 5 mm
397	Z2NF02600	CLUTCH CABLE SEAT PIN
398	00302-K	KIT 20 WASHERS M6
400	IZF-90070	SEEGER RING A35 DIN471
401	IZF-90060	SAFETY CONE SPRING
402	IZF-02400	PRIMARY DRIVEN GEAR
403	Z2NB40700	CLUTCH COVER SCREAMER III
404	Z2NB40300	GASKET PRIMARY TRANSM. COVER
406	Z2NF90000	OIL SEAL G42x52x4
407	Z2NB40200	PRIMARY TRANSMISSION COVER SCREAMER III '19

408	00043-K	KIT OF 20 SCREWS TCCE 6x18
409	00161-K	KIT OF 20 HEX. SCREWS 6x12
410	IZF-00900	SHOCK ABSORBER PLATE
411	IZF-02500	SHIM PRIMARY DRIVEN GEAR
412	Z2NF01100	OIL SEAL BUSH
413	IZF-90030	O'RING 3131 FPM 75
415	IZF-01000	SHOCK ABSORBER HUB
416	IZF-90000	NEEDLE BEARING
417	IZF-90015	OIL SEAL G20x26x4B
418	IZF-90035	OIL SEAL
419	IZF-00800	DAMPER SHOCK ABSORBER
420A	Z2NF00201	SHOCK ABSORBER ASSEMBLY
421	IZF-90080	SPACER RING PS 22x32x1
422	IZF-02200	CLUTCH DRUM SPACER
423	00130-K	KIT 20 SCREWS TSEI M6x40
424	Z2NF00500	CLUTCH DRUM
425	IZF-02100	SAFETY CONE SPRING
426	IZF-00700	BARE CLUTCH DISC
427	IZF-00600	PADDED CLUTCH DISC
428	Z2NF01400	THRUST BEARING PLATE
429	IZF-01700	CLUTCH NUT WASHER
430	00364	NUT M14x1
431	Z2NF90460	AXIAL ROLLER BEARING
432A	Z2NF04000	PRESS. PLATE COMPLETE
433	Z2NF90461	AXIAL BEARING BUSH
434	G-100571	SEEGER RING 12x1
435	Z2NF01200	THRUST PLATE SPRINGS
436	Z2NF01300	CLUTCH SPRING RETAINER
437	IZF-01600	CLUTCH PUSH PLATE
438	IZF-01500	PUSH ROD CLUTCH
439	IZF-02300	CLUTCH NUT WASHER
440A	Z2NF00300	CLUTCH DRUM
441	Z2NF90090	SPACER RING

GEARBOX

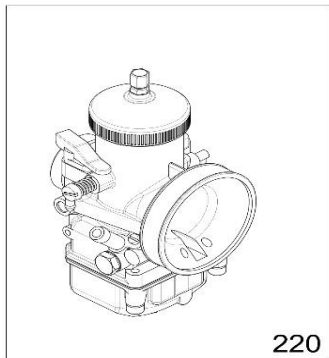
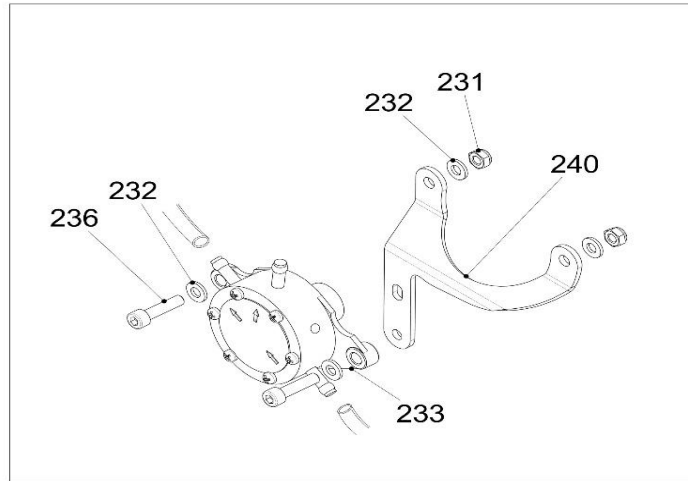
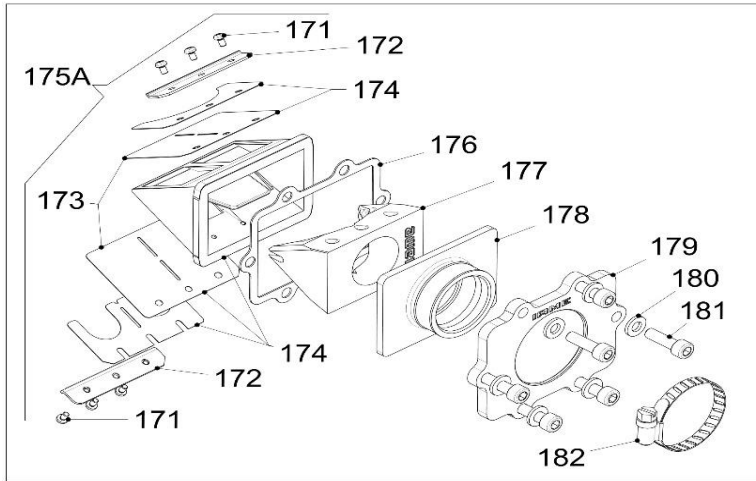


Z2-908

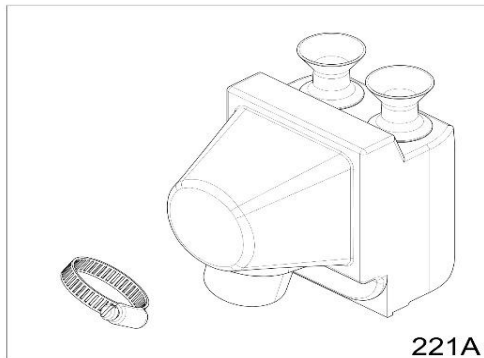
POS	COD	DESCR
601A	IZF-30001	COMPL. PRIMARY SHAFT SCREAMER
602A	IZF-31001	COMPL. SECONDARY SHAFT SCREAMER
603	IZF-20100	PRIMARY SHAFT
604	IZF-20200	SECONDARY SHAFT
605	IZF-21900	SHIM PRIMARY/SECONDARY SHAFT
606	IZF-20300	2nd G. DRIVE GEAR

607	IZF-20450	SPLITTED ROLLER CAGE K18x22x10
608	IZF-20650	6th G. DRIVE GEAR
609	IZF-21400	SPLINED SHIM 6th SPEED
610	IZF-90045	SEEGER RING A22 DIN471
611	IZF-20400	3rd/4th G. DRIVE GEAR
612	IZF-90020	OIL SEAL GR5x9x2
613	IZF-21300	5th GEAR SHIM
614	IZF-20452	ROLLER CAGE
615	IZF-20500	5th G. DRIVE GEAR
616	IZF-90055	SEEGER RING A20 DIN471
617	IZF-25800	SPROCKET Z15
617	IZF-25900	SPROCKET Z16
617	IZF-26000	SPROCKET Z17
617	IZF-26100	SPROCKET Z18
617	IZF-26200	SPROCKET Z19
617	IZF-26300	SPROCKET Z20
618	IZF-90120	SAFETY CONE SPRING "AL"
619	IZF-90025	O'RING 2075 NBR 70
620	IZF-25300	CHAIN SPROCKET SPACER
622	IZF-90075	SPACER RING
623	IZF-90400	ROLLER CAGE K20
624	IZF-20800	2nd G. DRIVEN GEAR
625	IZF-21250	6th G. DRIVEN GEAR
626	IZF-90050	SEEGER RING A24 DIN471
627	IZF-21700	SPLINED SHIM 21x32x0.8
628	IZF-21000	4th G. DRIVEN GEAR
629	IZF-20451A	SPLIT. ROLLER CAGE K20x24x10
630	IZF-21800	HALF SHIM 3rd / 4th SPEED
632	IZF-20900	3rd G. DRIVEN GEAR
635	IZF-21100	5th G. DRIVEN GEAR
636	IZF-21500	SHIM 1st SPEED
637	IZF-20750	1st G. DRIVEN GEAR
638	IZF-90405	ROLLER CAGE K17

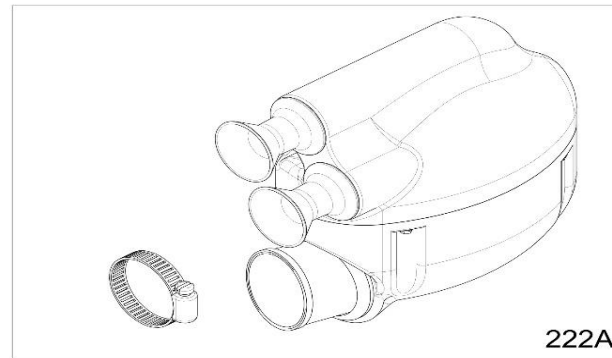
INLET



220



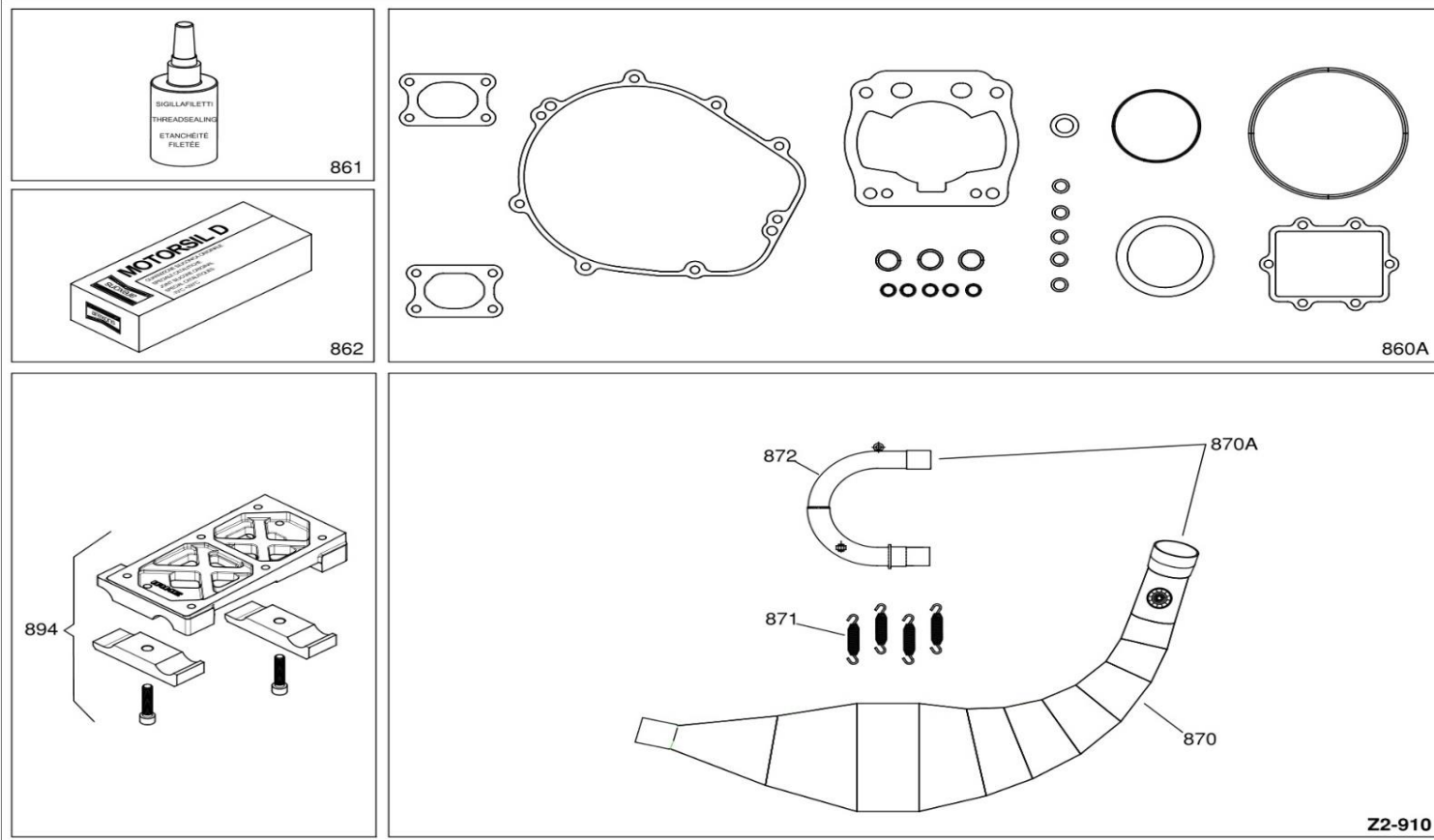
221A



222A

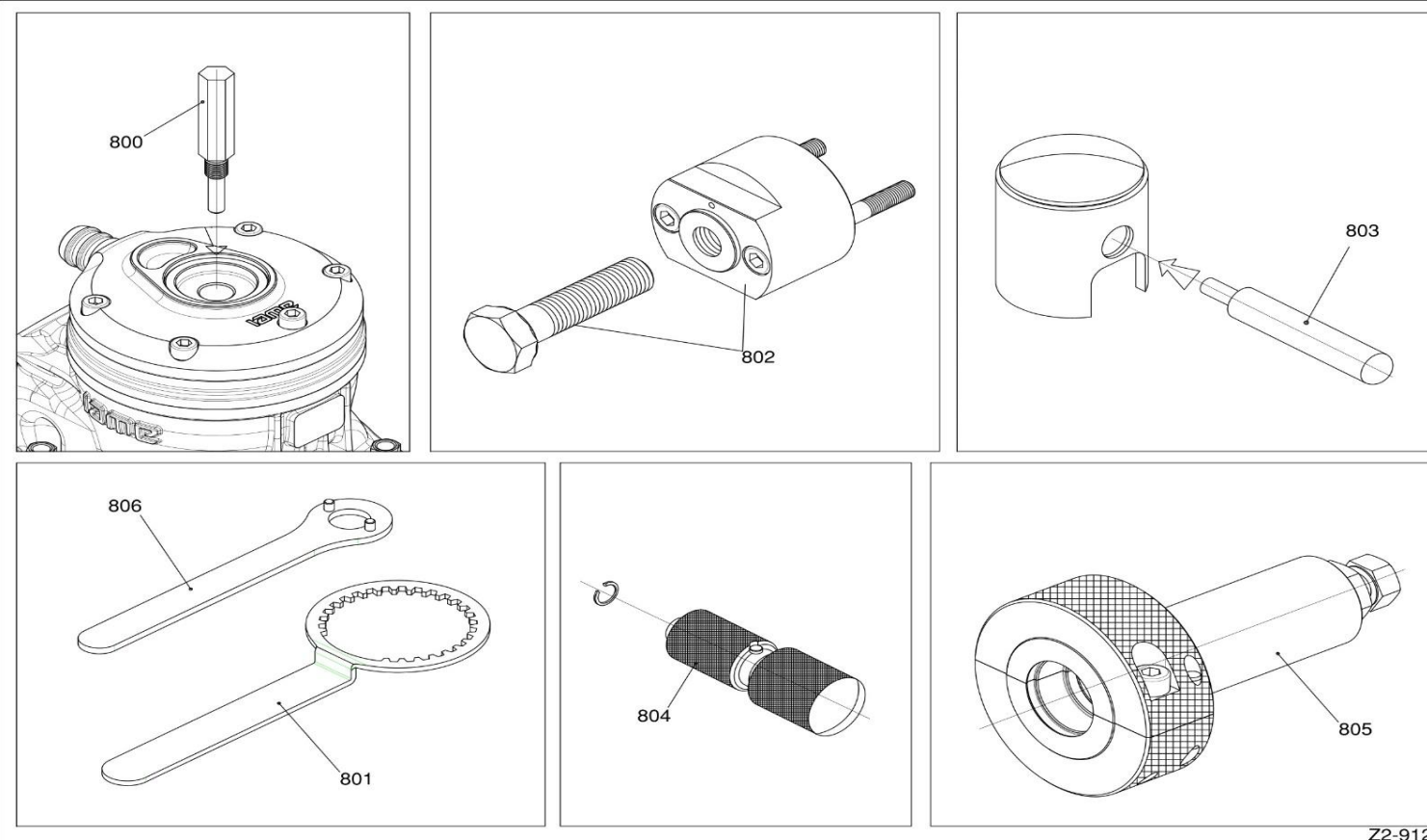
POS	COD	DESCR
171	10380	REEDS SCREW
172	IZG-20200	REED PETALS LOCKING PLATE
173	IZG-20300-C1	KIT CARB.REED PET.0.30/0.33 KZ
174	IZG-20300-C	KIT CARB.REED PET.0.30/0.33 KZ
175	IZG-02000	REED VALVE ASSEMBLY KZ
176	IZB-41150	CARBURETTOR MANIFOLD GASKET
177	Z2NB41000	CONVEYOR PYRAMID SCREAMER III '19
178	IZB-41551	CARBURETTOR RUBBER MANIFOLD
179	IZB-41350N	CARBUR. MANIFOLD FLANGE BL
180	00321-K	20 ONDULATING WASHERS KIT
181	00043-K	KIT OF 20 SCREWS TCCE 6x18
182	IZG-31100	SCREW CLAMP
220	IFG-00100KZ19	CARBURETTOR DELL'ORTO VSHH 30CS '19
231	00378-K	20 SELF LOCKING NUTS KIT M6
232	00302-K	KIT 20 WASHERS M6
233	IZG-90001	FUEL PUMP
234	B-35810	COIL DAMPENER
236	00045-K	KIT 20 SOCKET H. SCREWS M6X25
240	Z2NG40800	FUEL PUMP SUPPORT BRACKET

EXHAUST SYSTEM & GASKETS



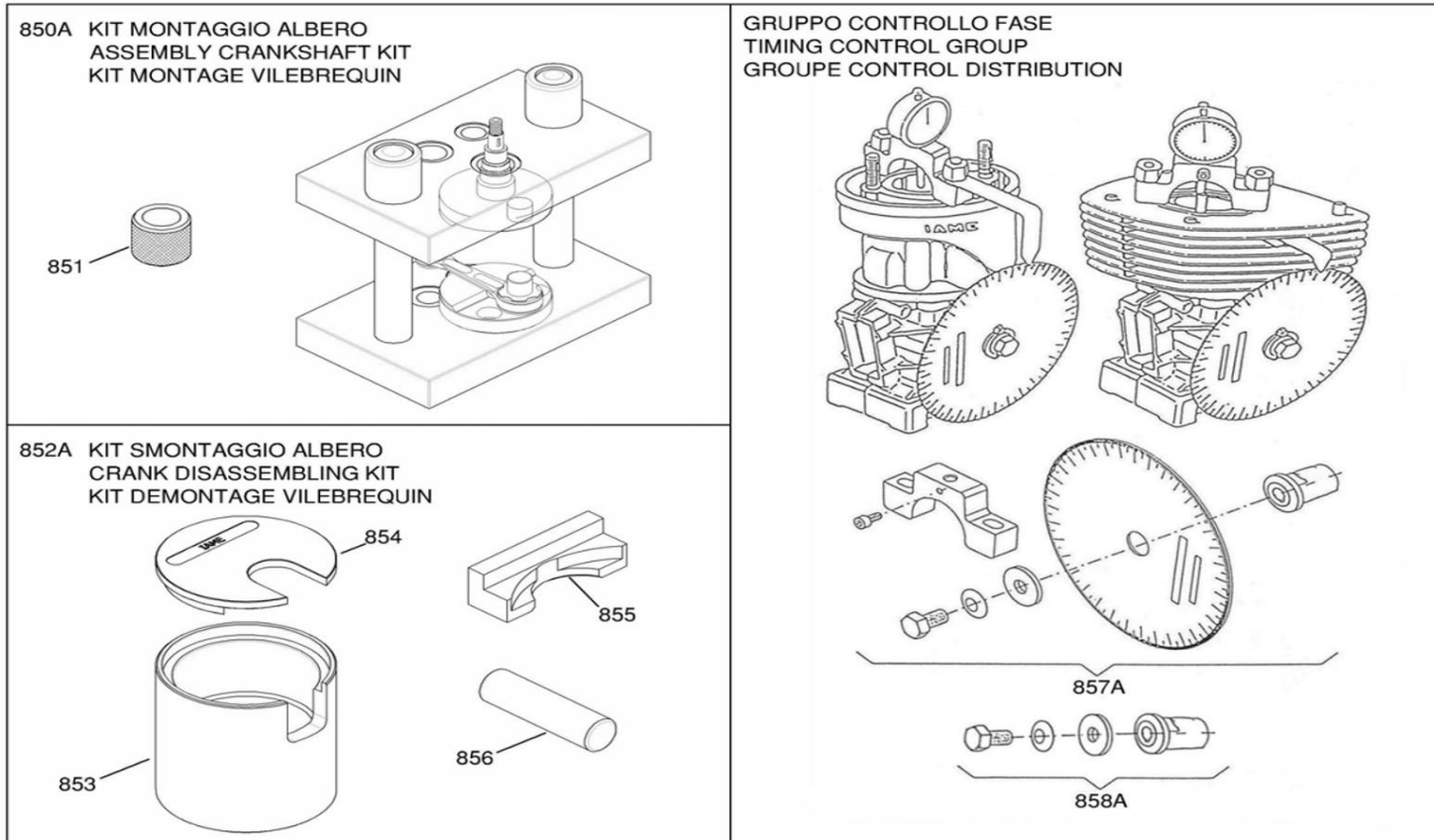
POS	COD	DESCR
860A	Z2NZ00001	GASKET SET SCREAMER III
861	00600	PIPE FITTING SEAL
862	00602	GASKET AREXON
870	Z2NH04000	EXHAUST MUFFLER SCREAMER III
870A	Z2NH04000EVO17-C	EXHAUST MUFFLER SCREAMER III EVO 17 W. TAIL PIPE
871	IFH-55100	FLEXIBLE SPRING KF1-2 / KZ
872	IZH-06101	TAIL PIPE KZ 26/28mm
894	Z2NB50000	COMPLETE ENGINE MOUNT

TOOLS



POS	COD	DESCR
800	10271	PISTON STROKE LOCKER
801	ATT-031/2	CLUTCH DRUM LOCKING TOOL
802	10826-C	ROTOR PULLER PVL/SELETTRA
803	ATT-017	PISTON PIN PUNCH d.15mm
804	ATT-006	CIRCLIP 15mm ASSEM.TOOL
805	ATT-048	BEARING RING PULLER
806	10137	ROTOR WRENCH PVL/SELETTRA

ASS.CRANKSHAFT TOOL



KT-013

POS	COD	DESCR
850A	10110A	CRANKSHAFT ASSY TOOL
851	10150A	CRANK-PIN BUSH 20mm
853	10100	CRANKSH. DISASSY SUPPORT
854	10104A	CRANKSHAFT PLATE 125cc
855	10106	CRANKSHAFT INSERT 125cc-SUP
856	10107	CRANK-PIN PUSHER
857A	10820A	TIMING CHECK DISC TaG/REEDSTER
858A	ATT-014-C	COMPLETE TIMING GROUP ADAPTER