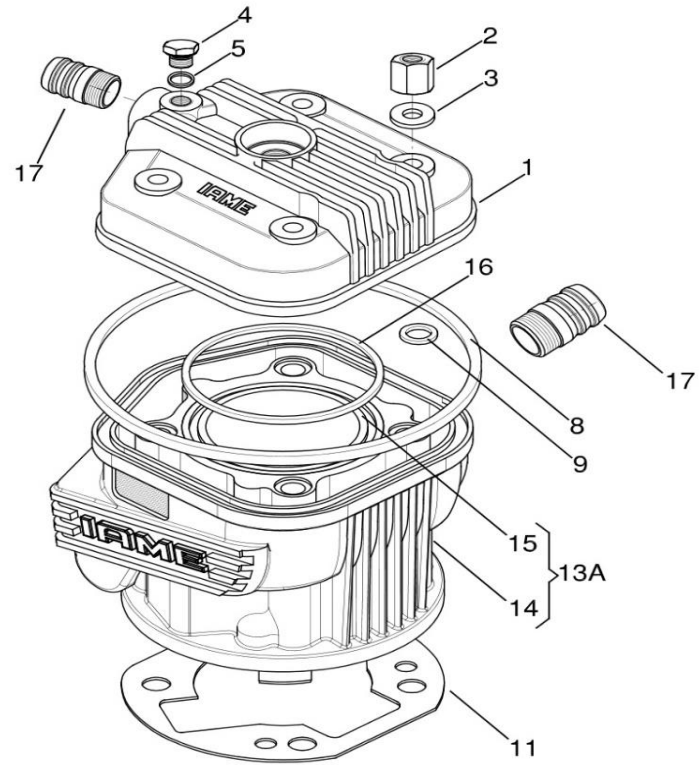


X30

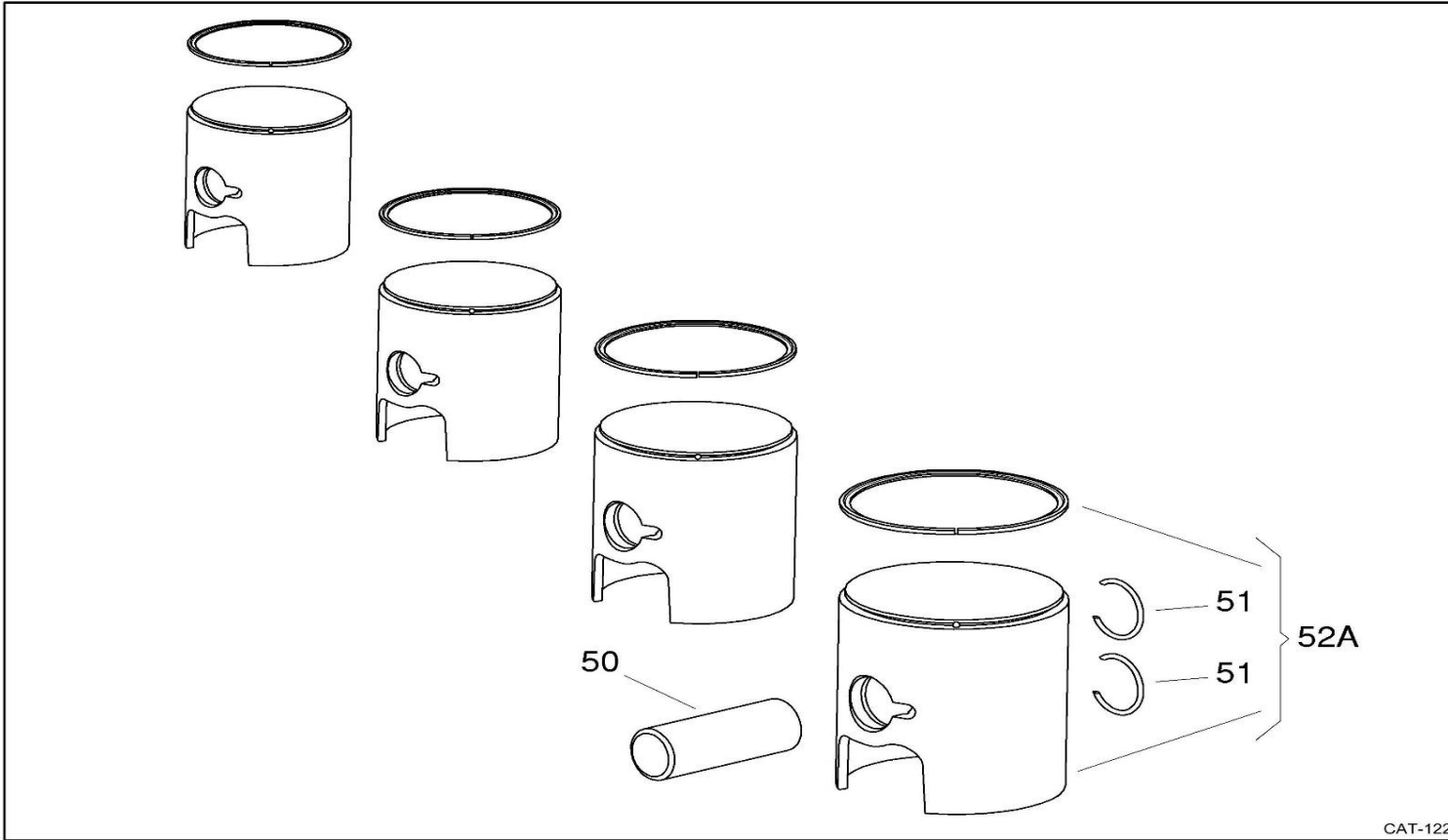


CYLINDER & CYLINDER HEAD



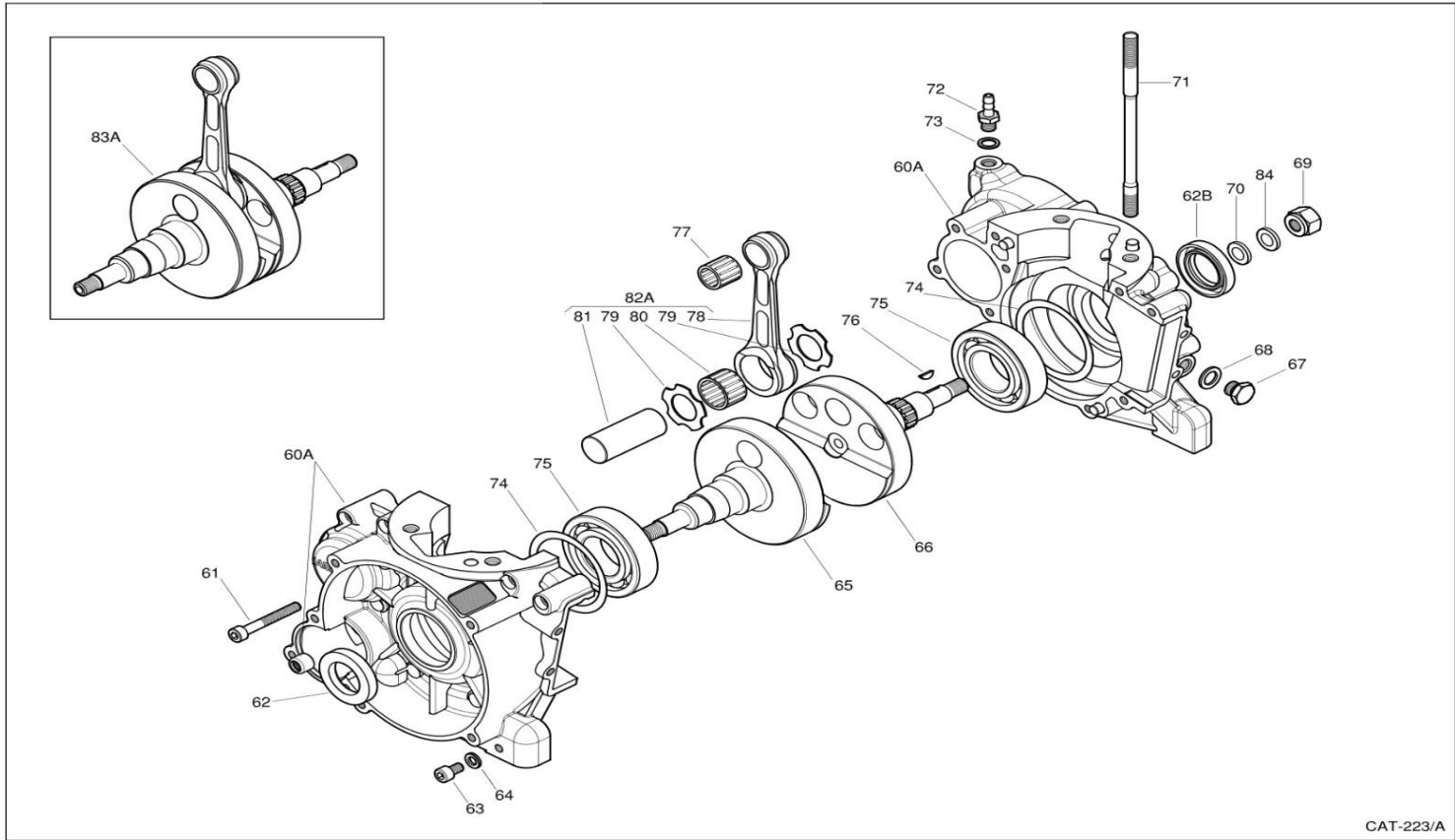
POS	COD	DESCR
01	X30125040-C	CYL. HEAD X30
02	10350	HEAD NUT
03	10635	HEAD NUT WASHER H=3mm
04	B-25840	TEMP. GAUGE PLUG
05	B-25845	TEMP. GAUGE PLUG GASKET
08	F-38820	EXT. HEAD OR
09	B-25825	OR STUD-BOLT
11	EBP-125045	CYL. GASKET 4/10 SUD-TOP/X30
13A	X30125033	COMPLETE CYLINDER X30
16	D-37049	INT. HEAD OR
17	IFA-40500	WATER PIPE FITTING

PISTON



POS	COD	DESCR
050	X30125320B	PISTON PIN 14x44 2^SEL.
050	X30125320R	PISTON PIN 14x44 1^SEL.
051	10341-A	CIRCLIP W/OUT TAILS
052A	BP-25051-CR	PISTON COMPL. PR 54.00r
052A	BP-25051-CV	PISTON COMPL. PR 54.00v
052A	BP-25056-CR	PISTON COMPL. PR 54.02r
052A	BP-25056-CV	PISTON COMPL. PR 54.02g
052A	BP-25058-CR	PISTON COMPL. PR 54.05r
052A	BP-25058-CV	PISTON COMPL. PR 54.05g
052A	BP-25059-CR	PISTON COMPL. PR 54.07r
052A	BP-25059-CV	PISTON COMPL. PR 54.07v
052A	BP-25061-CR	PISTON COMPL. PR 54.10r
052A	BP-25061-CV	PISTON COMPL. PR 54.10g
052A	BP-25066-CR	PISTON COMPL. PR 54.12r
052A	BP-25066-CV	PISTON COMPL. PR 54.12g
052A	BP-25068-CR	PISTON COMPL. PR 54.15r
052A	BP-25068-CV	PISTON COMPL. PR 54.15g
052A	BP-25069-CR	PISTON COMPL. PR 54.17r
052A	BP-25069-CV	PISTON COMPL. PR 54.17v
052A	BP-25071-CR	PISTON COMPL. PR 54.20r
052A	BP-25071-CV	PISTON COMPL. PR 54.20g
052A	BP-25076-CR	PISTON COMPL. PR 54.22r
052A	BP-25076-CV	PISTON COMPL. PR 54.22g
052A	BP-25081-CR	PISTON COMPL. PR 54.25r
052A	BP-25081-CV	PISTON COMPL. PR 54.25g
052A	BP-25086-CR	PISTON COMPL. PR 54.27r
052A	BP-25086-CV	PISTON COMPL. PR 54.27g

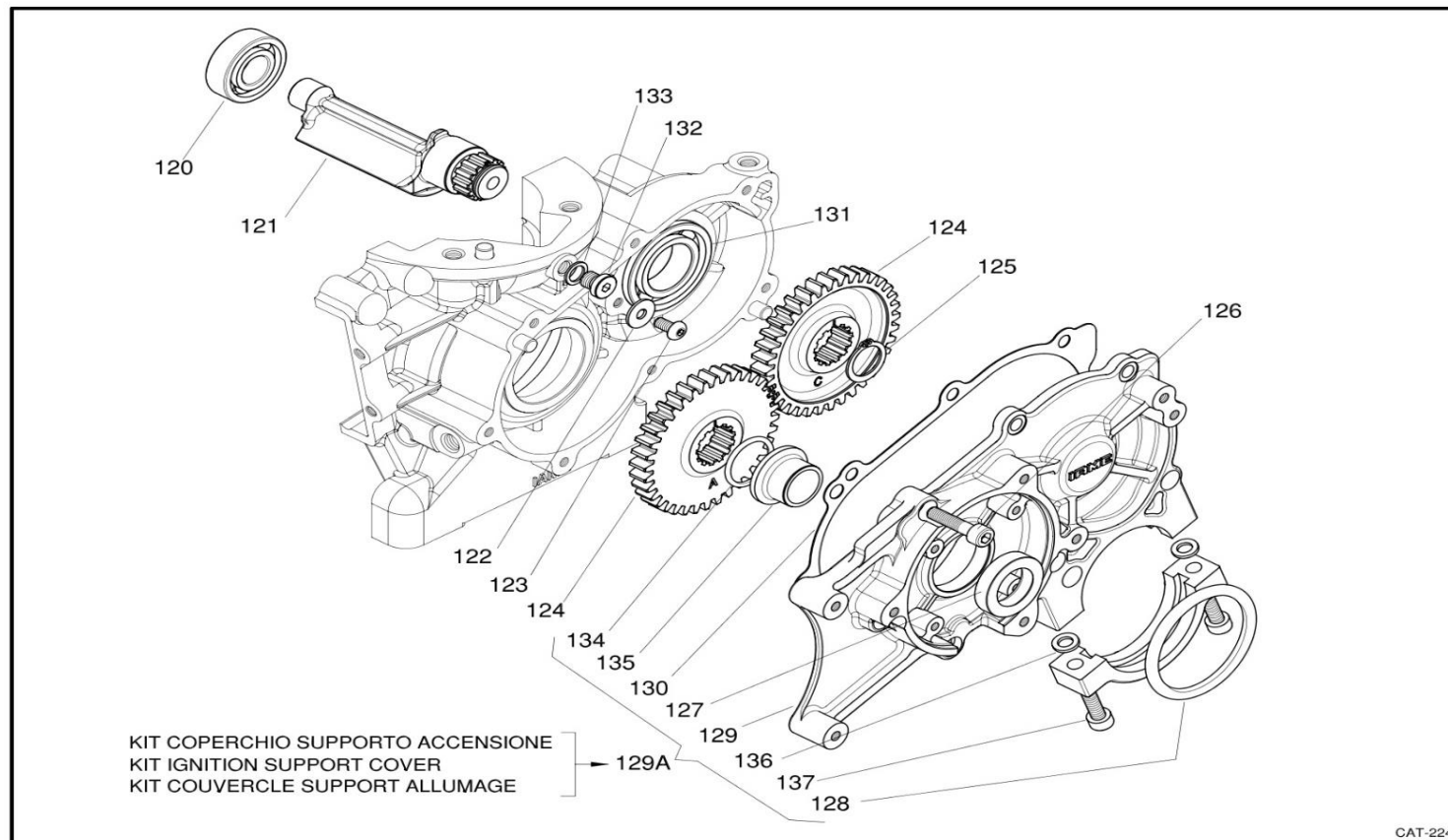
CRANKCASE & CRANKSHAFT



CAT-223/A

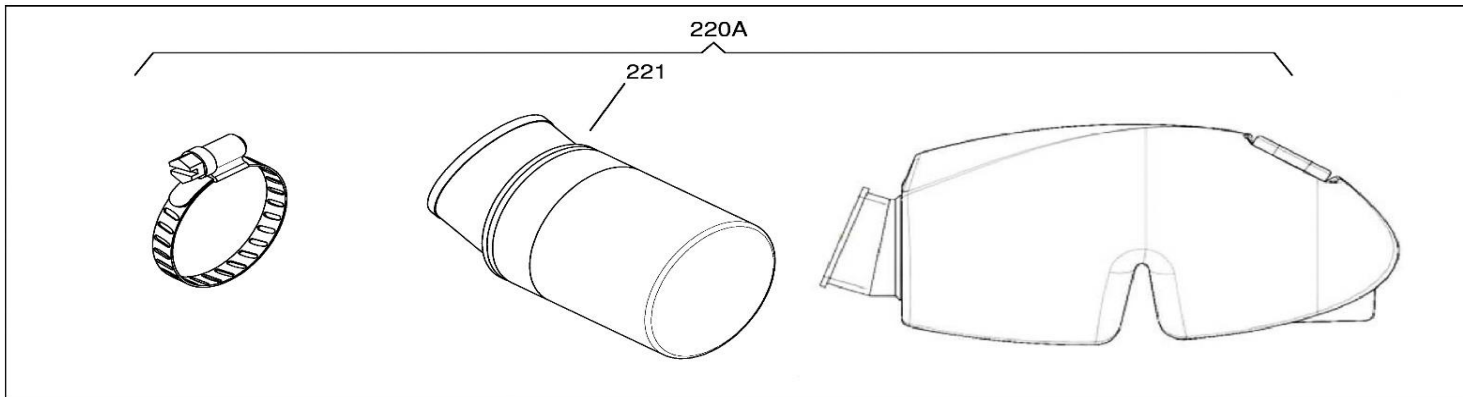
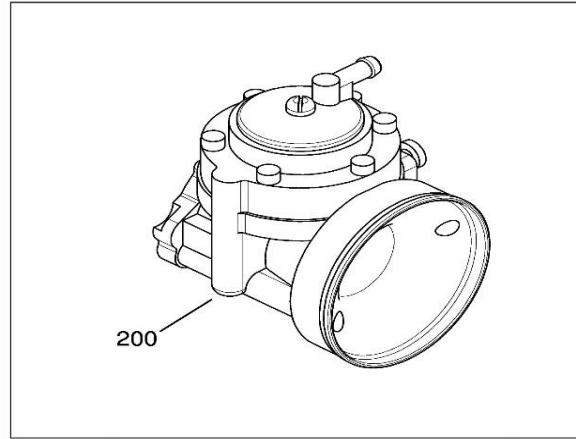
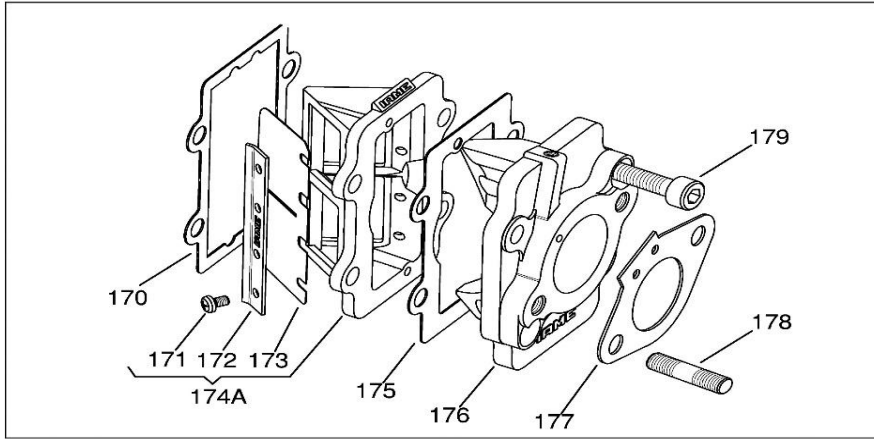
POS	COD	DESCR
060A	X30125485-C	CRANKCASE W/CAGE X30
060A	X30125486-C	CRANKCASE W/CAGE X30 UK
061	00049-K	KIT OF 20 ALLEN SCREWS 6x45
062	X30125425A	OIL SEAL MAGN./DRIVE SIDE
063	00059-K	KIT 20 SCREWS TCCE M6x12
064	00302-K	KIT 20 WASHERS M6
065	X30125385	DR .S. H. CRANKSHAFT X30
066	X30125390	MAGN. S. H. CRANKSHAFT X30
067	B-25840	TEMP. GAUGE PLUG
068	B-25845	TEMP. GAUGE PLUG GASKET
069	00382	NUT M10x1
070	00305-K	KIT OF 20 WASHERS M10
071	B-25347	CYLINDER TIE-ROD 8x153
072	D-95800	PRESSURE FITTING
073	B-71805	PRESSURE Cu FITT. GASKET
074	X30125405	STEEL SHIM 0.10 X30
074	X30125406	STEEL SHIM 0.15 X30
075	X30125396A	BALL BEARING SKF 6206
075	X30125397	ROLLER BEARING BC1-3342B
076	10375	MAGNETO/SPROCKET SHAFT END KEY
077	E-10441	SMALL END ROLLER CAGE
079	X30125437	SILVER BRONZE WASHER TOOLED
080	X30125431	BIG END CAGE
081	X30125450	CRANKPIN 20x48.8
082A	ENC50100-C	KIT CONROD 102mm / PIN 48.8 X30
083A	ENC00101	COMPLETE CRANKSHAFT X30
084	00342-K	KIT 20 WASHERS 10,5x18x0,8

BALANCING SHAFT



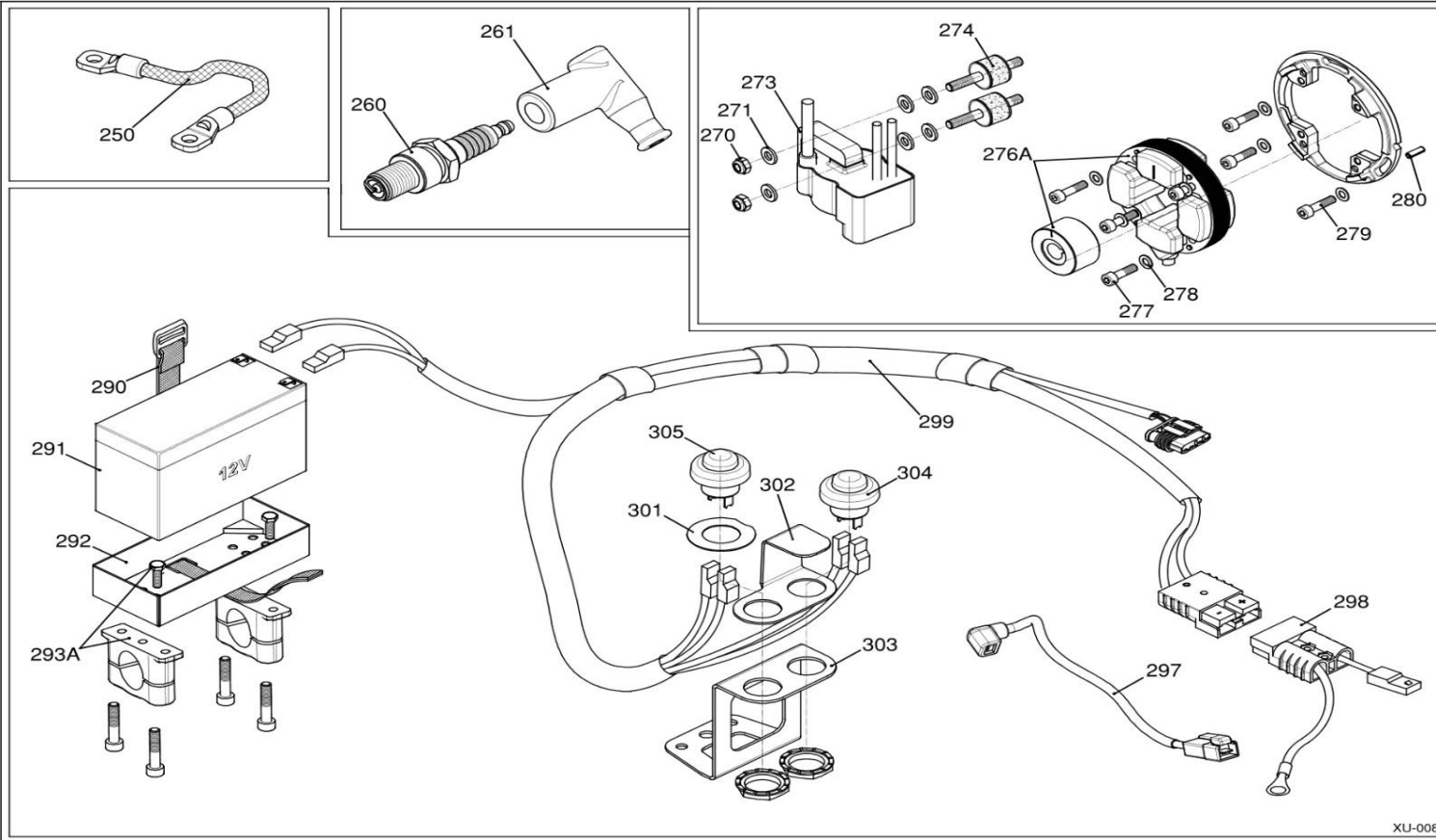
POS	COD	DESCR
120	IZF-90510	BALL BEARING SKF 6202 TN9/C4H
121	X30125750	BALANCING SHAFT X30
122	00313-K	KIT 20 WASHERS M5x15
123	00257-K	20 SCREWS KIT M5x10
124	X30125755B	BALANCING SHAFT GEAR X30
125	X30125758	SEEGER SHAFT GEAR
126	00042-K	KIT 20 SCREWS TCCE 6x16
127	X30125880	OIL SEAL TC 22x32x7
128	X30125853	DAMPENER OR
129	X30125875A	IGNIT. SUPP. COVER X30
129A	X30125875A-C	X30 IGNITION SUPPORT COVER KIT
130	X30125878A	COVER GASKET X30
131	X30125746A	BALL BEARING 6005
132	X30125490	PRESSURE PLUG
133	B-71805	PRESSURE Cu FITT. GASKET
134	X30125762	GASKET OR X30
135	X30125760	GEAR SPACER X30
136	00302-K	KIT 20 WASHERS M6
137	00045-K	KIT 20 SOCKET H. SCREWS M6X25

INLET



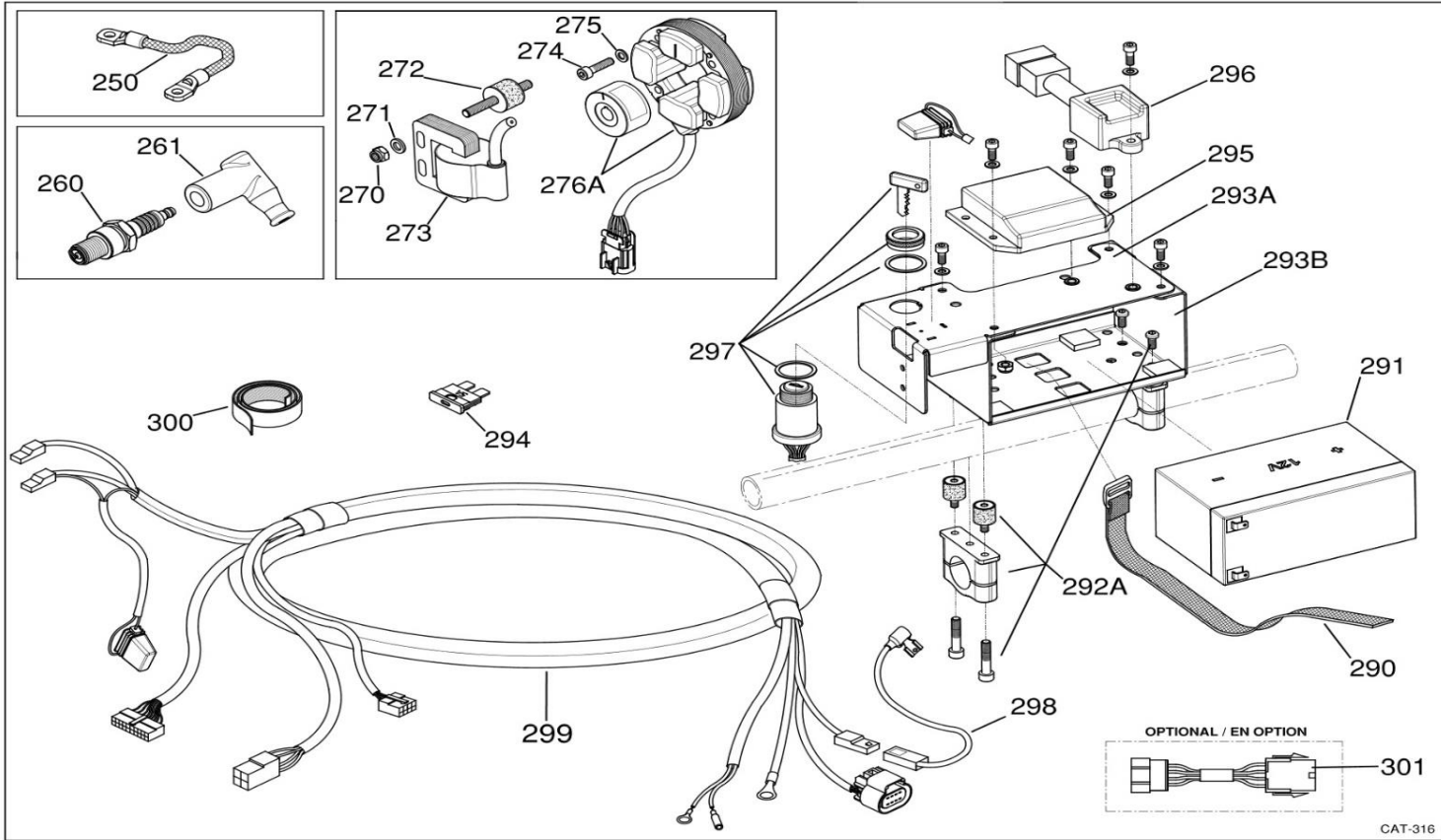
POS	COD	DESCR
170	X30125810A	REED BLOCK GASKET X30
171	10380	REEDS SCREW
172	F-11845A	REED CLIPS
173	F-11840-C	CARBON REED PETALS KIT
174A	F-11830B-C	REED GROUP CARBON
175	X30125809A	TOP CONVEYOR GASKET X30
176	X30125816	CONVEYOR 29mm X30
177	X30125360A	CARB. GASKET TILLOTSON HW-27A
178	F-40525	STUDBOLT M6x30
179	00045-K	KIT 20 SOCKET H. SCREWS M6X25
200	10948C	CARBURETTOR TILL. HW-27A
220A	X30125740	INLET SILENCER IAME
221	10751-A	INLET SILENCER FILTER
222	10755	MANYFOLD CLAMP

IGNITION PLANT DIG. S



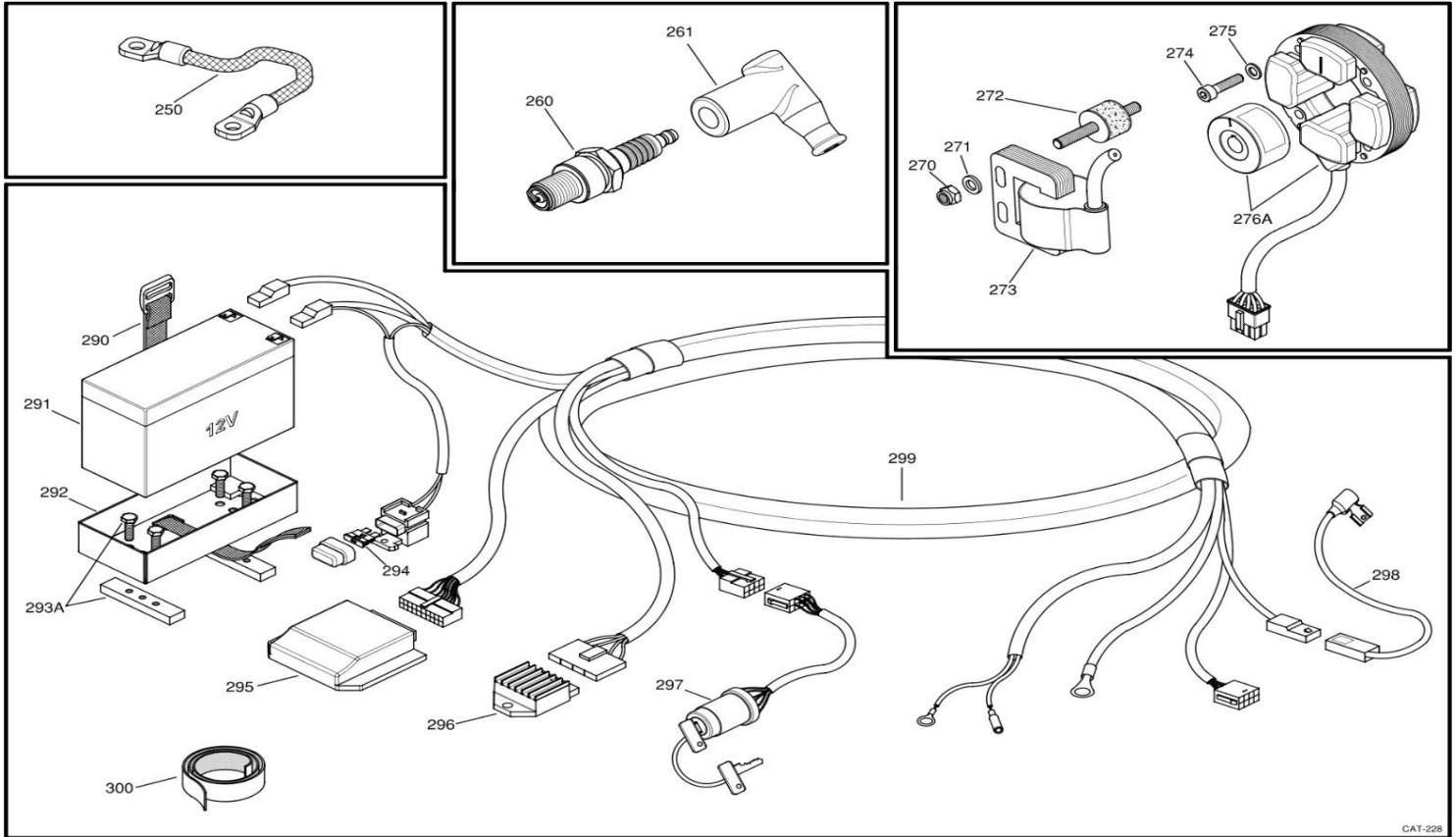
POS	COD	DESCR
250	B-35805-A	COIL GROUND CABLE
260	10561-A	SPARK PLUG NGK BR10EG
260	10562	SPARK PLUG NGK R6254E-105
261	10544	PVL SPARK PLUG CAP BLACK
270	00378-K	20 SELF LOCKING NUTS KIT M6
271	00302-K	KIT 20 WASHERS M6
273	X30125933C	COIL/ELC. BOX "C" DIG. S X30
274	B-35810-A	COIL DAMPENER
276A	X30125953	IGNITION DIG. S X30
277	00032-K	KIT OF 20 SCREWS TCCE 5x20
278	00301-K	KIT 20 WASHERS M5
279	00037-K	20 SCREWS KIT TCCE 5X18
290	A-60904A	BATTERY FIXING BELT
292	X30125905	BATTERY SUPPORT
293A	A-60907A-C	BATTERY SUPPORT CLAMP 30mm W/SCREWS
293A	A-60908A-C	BATTERY SUPPORT CLAMP 32mm W/SCREWS
297	IFE-05600	STARTER CABLE
298	IFE-05401D	STARTER MOTOR CABLE
299	IFE-05004	CABLES HARNESS PVL DIGITAL
302	IFI-70101	SECURITY BRACKET
303	IFI-70001	BUTTONS BRACKET X30
304	IFE-05003-PS	START BUTTON
305	IFE-05003-PR	STOP BUTTON

ELECTRIC PLANT DIG. K



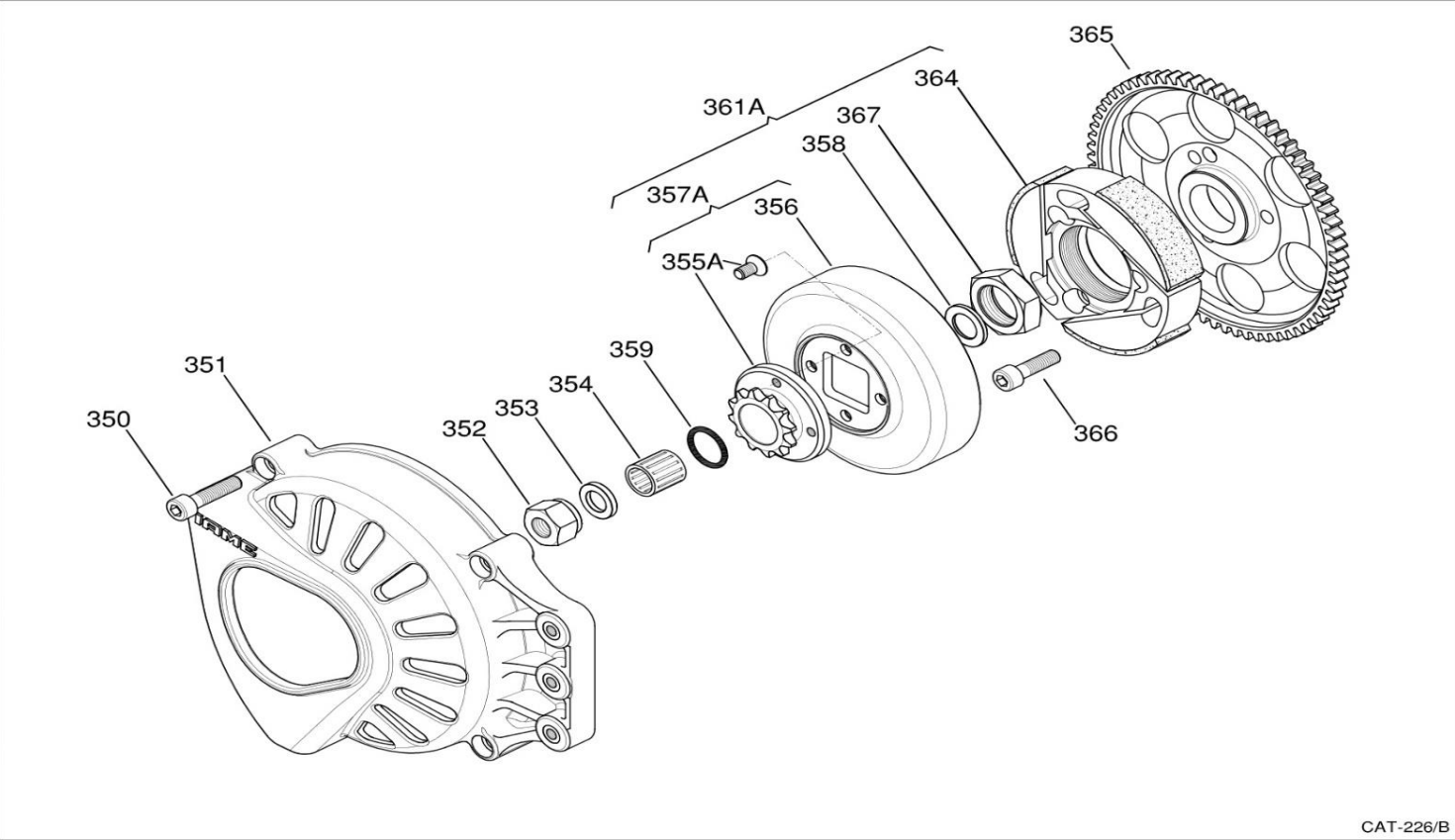
POS	COD	DESCR
250	B-35805-A	COIL GROUND CABLE
260	10561	SPARK PLUG NGK BR9EG
260	10561-A	SPARK PLUG NGK BR10EG
261	10544	PVL SPARK PLUG CAP BLACK
270	00378-K	20 SELF LOCKING NUTS KIT M6
271	00302-K	KIT 20 WASHERS M6
272	B-35810-A	COIL DAMPENER
273	X30125955	SELETTA COIL K
274	00034-K	KIT OF 20 ALLEN SCREWS 5x25
275	00301-K	KIT 20 WASHERS M5
276A	X30125952	SELETTA IGNITION X30 '13
290	A-60904A	BATTERY FIXING BELT
291	X30125900	SPARE PART F.
292A	A-60906A-C1	BATTERY SUPPORT CLAMP 28mm W/SCREWS
292A	A-60907A-C1	BATTERY SUPPORT CLAMP 30mm W/SCREWS
292A	A-60908A-C1	BATTERY SUPPORT CLAMP 32mm W/SCREWS
293A	A-120907-C	BATTERY SUPPORT PLATE '13
293B	A-120905B	BATTERY SUPPORT '13
294	X30125942	FUSE 5A X30
295	X30125930C	MINI POWER UNIT TYPE C
295	X30125930F	MINI POWER UNIT TYPE F
296	IFE-05200	STARTER RELAY n.t.
297	X30125936-C	STARTER KEYS ASSEMBLY
298	IFE-05600	STARTER CABLE
299	X30125935D-C	CABLES HARNESS '13
300	X30125925	VELCRO FIXING STRAP
301	X30125939	CABLES HARNESS '13 ADAPTER
301	X30125939A	STATOR ADAPTER '13

ELECTRIC PLANT DIG. K



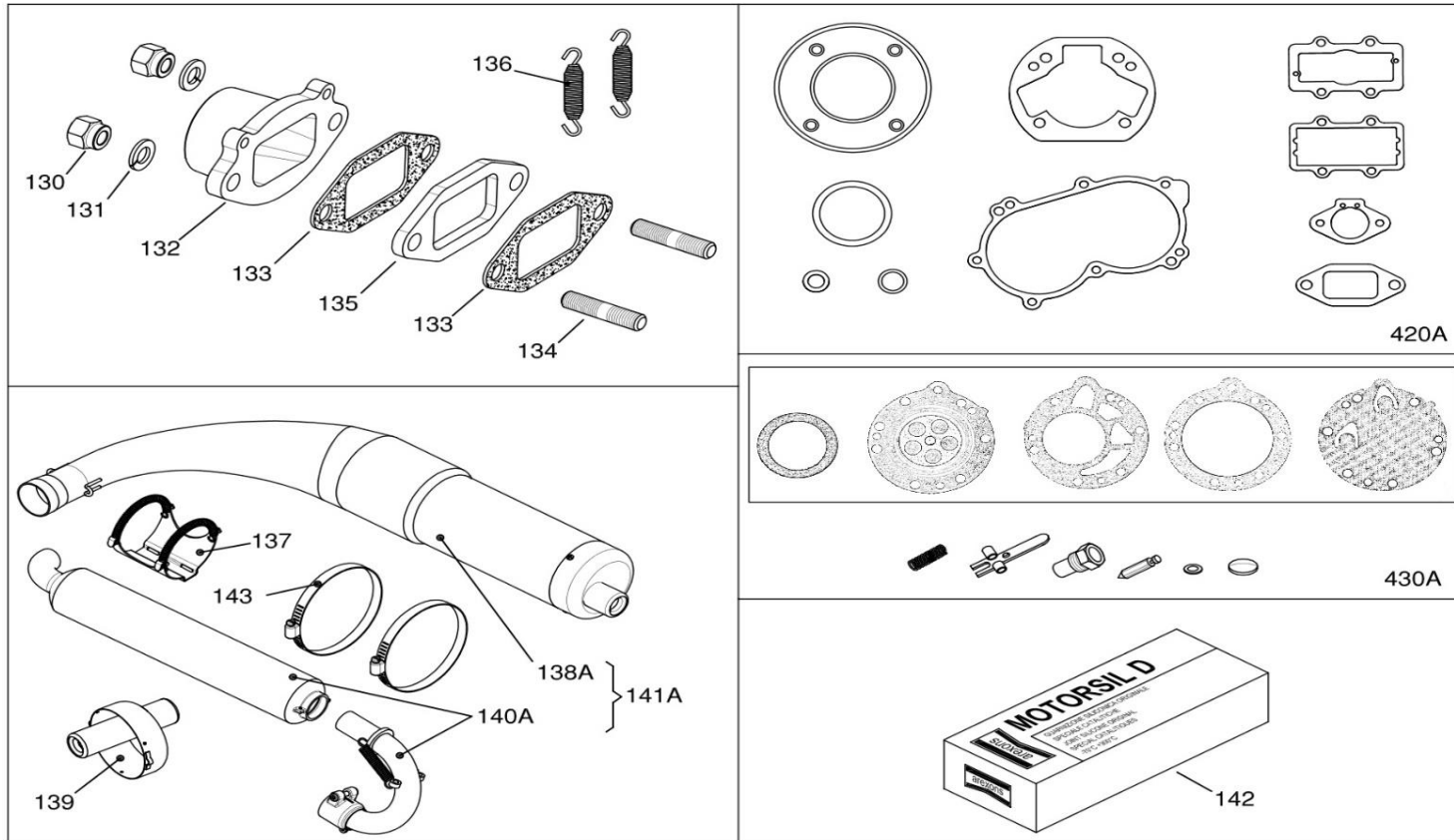
POS	COD	DESCR
250	B-35805-A	COIL GROUND CABLE
260	10561	SPARK PLUG NGK BR9EG
260	10561-A	SPARK PLUG NGK BR10EG
261	10544	PVL SPARK PLUG CAP BLACK
270	00378-K	20 SELF LOCKING NUTS KIT M6
271	00302-K	KIT 20 WASHERS M6
272	B-35810-A	COIL DAMPENER
273	X30125955	SELETTA COIL K
274	00034-K	KIT OF 20 ALLEN SCREWS 5x25
275	00301-K	KIT 20 WASHERS M5
276A	X30125950	SELETTA IGNITION X30
290	A-60904A	BATTERY FIXING BELT
291	X30125900	SPARE PART F.
292	X30125905	BATTERY SUPPORT
293	X30125906-C	BATTERY SUPP. CLAMP W/SCREWS
294	X30125942	FUSE 5A X30
295	X30125930C	MINI POWER UNIT TYPE C
295	X30125930F	MINI POWER UNIT TYPE F
296	X30125941	RELAY X30
297	X30125936-C	STARTER KEYS ASSEMBLY
298	IFE-05600	STARTER CABLE
299	X30125935-C	CABLES HARNESS
300	X30125925	VELCRO FIXING STRAP

CLUTCH GROUP



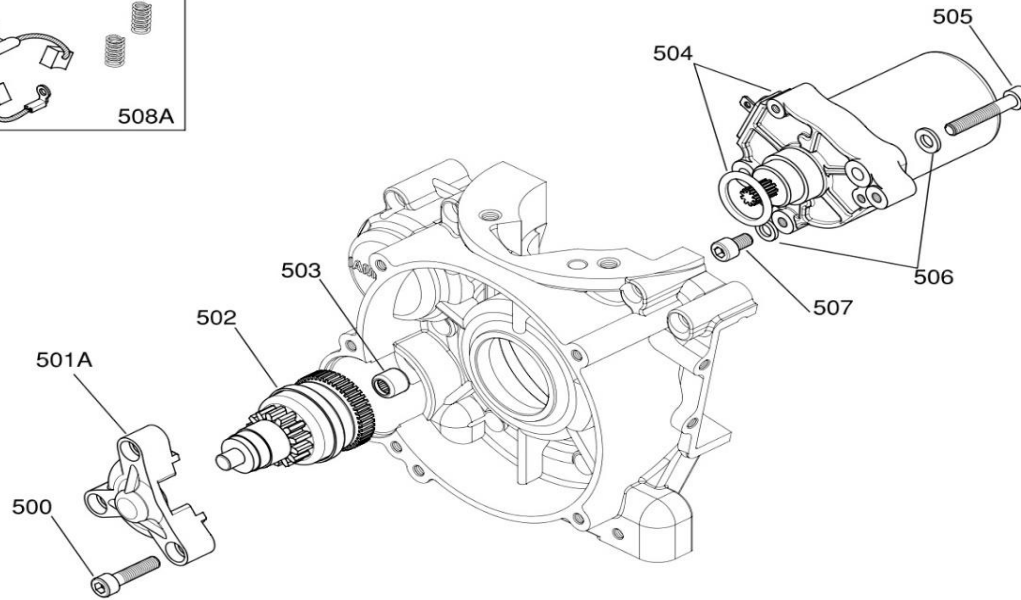
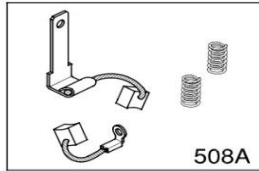
POS	COD	DESCR
350	00045-K	KIT 20 SOCKET H. SCREWS M6X25
351	X30125595	CLUTCH GUARD X30
352	D-75570	STARTER NUT TaG
353	D-75573	EXTERNAL WASHER
354	B-55598	CLUTCH ROLLER CAGE JUN-CIK
355A	X30125554-C	SPROCKET Z10 W/SCREWS
355A	X30125555-C	SPROCKET Z11 W/SCREWS
355A	X30125556-C	SPROCKET Z12 W/SCREWS
355A	X30125557-C	SPROCKET Z13 W/SCREWS
356	X30125550A	CLUTCH DRUM BLIND
357A	X30125550A-C10	CLUTCH DRUM BLIND + SPR Z10
357A	X30125550A-C11	CLUTCH DRUM BLIND + SPR Z11
357A	X30125550A-C12	CLUTCH DRUM BLIND + SPR Z12
358	D-75565	THRUST INT. WASHER H=1,8mm
359	A-60565	CLUTCH DRUM OR
361A	X30125841-C10	CLUTCH GROUP Z10
361A	X30125841-C11	CLUTCH GROUP Z11
361A	X30125841-C12	CLUTCH GROUP Z12
364	X30125841	PADDED HUB X30 '13
365	X30125831	STARTER WHEEL Z70 X30 '13
366	00042T-K	KIT 20 SCREWS M6X16 TECNIC 150
367	IFF-21300	WHEEL LOCKING NUT

HAUST GROUP & GASKETS SET



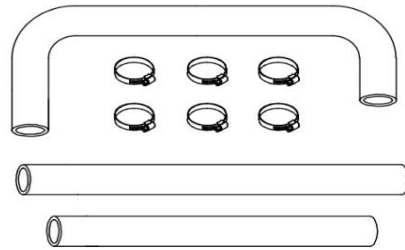
POS	COD	DESCR
130	B-71662	EXHAUST NUT 8mm
131	00332-K	KIT OF 20 ELAST. WASHERS M8
132	X30125370	EXHAUST MANIFOLD X30
132	X30125370J	EXHAUST MANIFOLD X30 22.7mm
133	B-75360	EXHAUST GASKET
134	X30125355	STUD BOLT M8x42
135	X30125375	EXHAUST MANIFOLD SPACER 3mm X30
136	IFH-55100	FLEXIBLE SPRING KF1-2 / KZ
138A	X30125715	ONE-PIECE EXHAUST X30
139	X30125720	SILENCER END X30
140A	X30125723-K	X30 ADDITIONAL SILENCER KIT
142	00602	GASKET AREXON
420A	X30125991	GASKETS KIT X30
430A	10948C-RK	REP. KIT CARB. TILLOTSON HW27A
430A	A-10910-DG	DIAPHRAGM KIT TILL.HW27A

ELECTRIC STARTER GROUP



POS	COD	DESCR
500	00045-K	KIT 20 SOCKET H. SCREWS M6X25
501	A-60870-C	BENDIX SUPPORT KIT
502	A-120856	BENDIX
503	A-60865	ROLLER CAGE TaG
504	A-120851A	STARTER MOTOR
505	00047-K	KIT OF 20 ALLEN SCREWS 6x35
506	00302-K	KIT 20 WASHERS M6
507	00059-K	KIT 20 SCREWS TCCE M6x12
508A	A-60852A-C	STARTER BRUSHES KIT

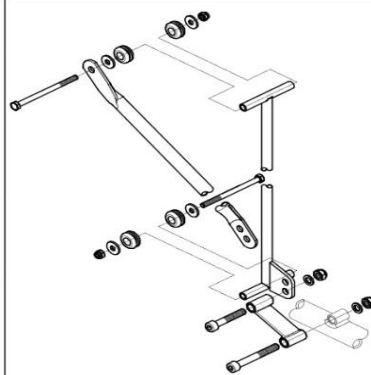
COOLING SYSTEM



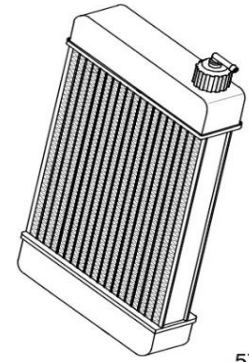
550A
KIT n° T-8301A-C



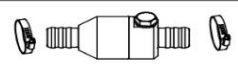
DIAMETRI - DIAMETERS - DIAMETRES
Y= 28mm : Kit n° T-8117-C
Y= 30mm : Kit n° T-8117-C1
Y= 32mm : Kit n° T-8117-C2
555A



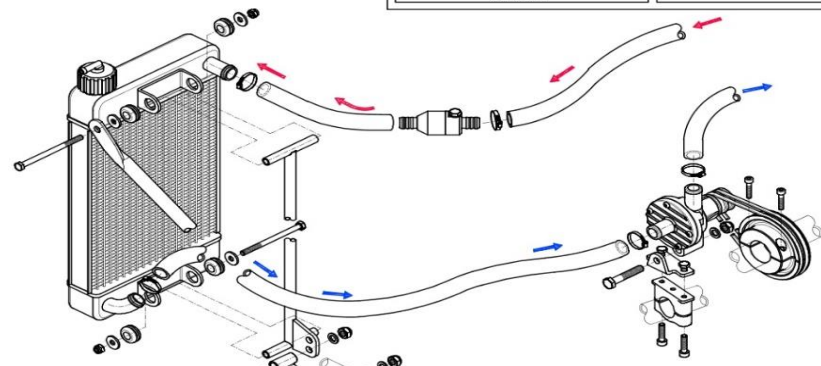
560A



570



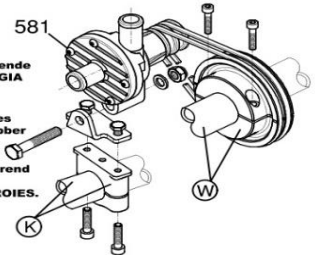
590A



SCHEMA DI MONTAGGIO
ASSEMBLING LAYOUT
SCHEMA DE MONTAGE

IMPIANTO PER RAFFREDDAMENTO LIQUIDO
WATERCOOLED ENGINE DEVICE
EQUIPEMENT REFROIDISSEMENT LIQUIDE

580A

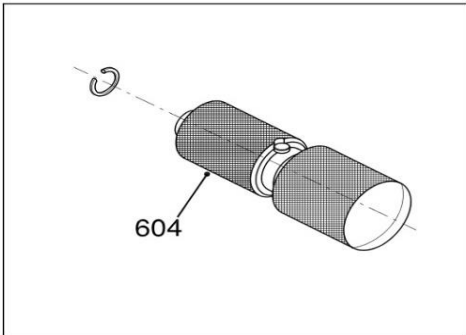
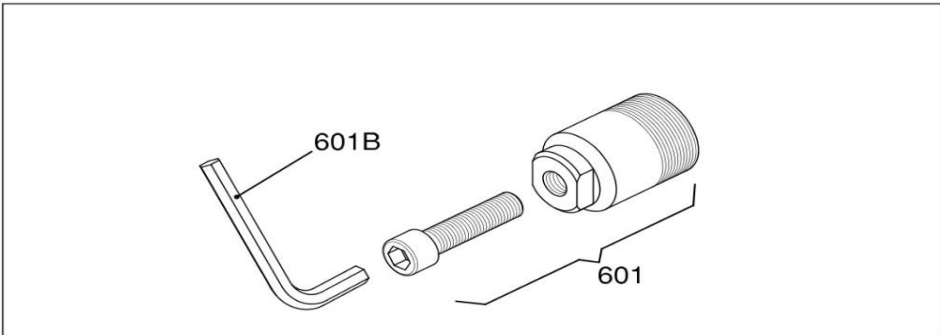
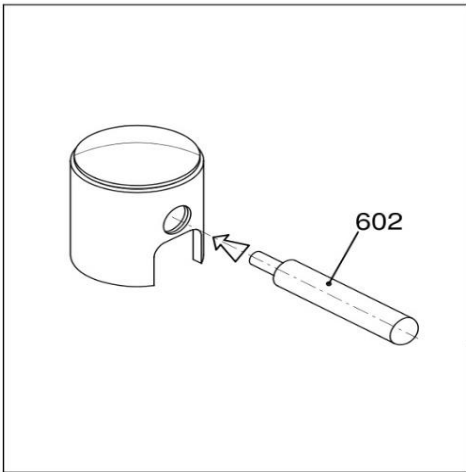
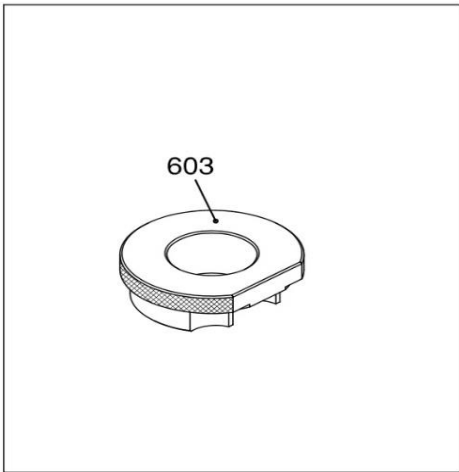
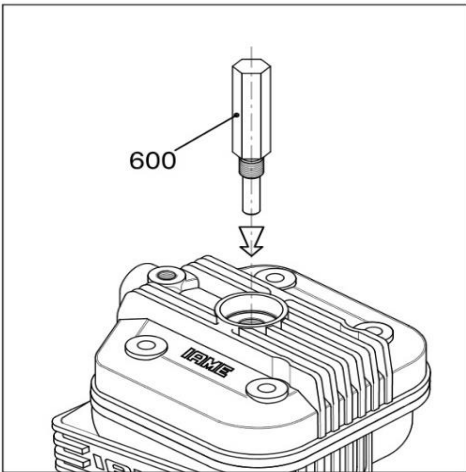


NOTE
Il gruppo POMPA comprende il SUPPORTO, la PULEGGIA e gli ANELLI di gomma.
The PUMP group includes CLAMP, PULLEY and rubber RINGS.
Le groupe POMPE comprend le SUPPORT, la POULIE et les COURROIES.

- DIAMETR I - DIAMETERS - DIAMETRES**
K=30mm + W=30mm : Kit n° T-8202-C
K=30mm + W=35mm : Kit n° T-8202-C1
K=30mm + W=40mm : Kit n° T-8202-C2
K=32mm + W=40mm : Kit n° T-8202-C3
K=32mm + W=35mm : Kit n° T-8202-C4
K=30mm + W=50mm : Kit n° T-8202-C5
K=32mm + W=50mm : Kit n° T-8202-C6
K=32mm + W=30mm : Kit n° T-8202-C7

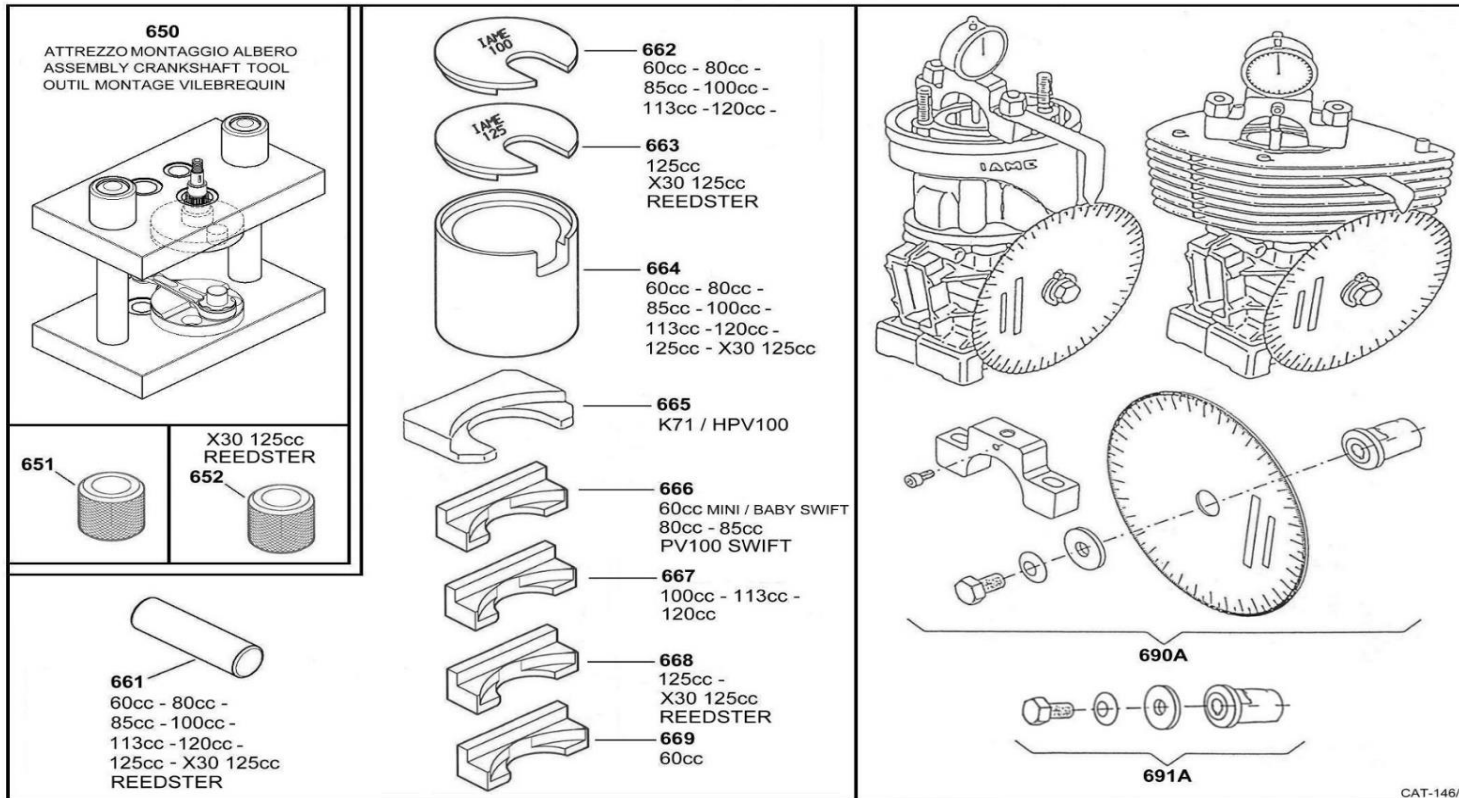
POS	COD	DESCR
550A	T-8313B-C	HOSES COMPLETE KIT BLUE
555A	T-8117-C	RADIATOR CLAMP KIT mm 28
555A	T-8117-C1	RADIATOR CLAMP KIT mm 30
555A	T-8117-C2	RADIATOR CLAMP KIT mm 32
560A	T-8135-C	RADIATOR 410*186mm SUPPORT KIT
560A	T-8136-C	RADIATOR 410*230mm SUPPORT KIT
570	T-8000B	RADIATOR 410*186mm
570	T-8001	RADIATOR 410*230mm
580A	T-8202-C7	PUMP GROUP mm 32/30
580A	T-8203-C	WATER PUMP ALU GROUP 30/30
580A	T-8203-C2	WATER PUMP ALU GROUP 30/40
580A	T-8203-C3	WATER PUMP ALU GROUP 32/40
580A	T-8203-C5	WATER PUMP ALU GROUP 30/50
580A	T-8203-C6	WATER PUMP ALU GROUP 32/50
580A	T-8203-C9	WATER PUMP ALU GROUP 28/30
581	T-8203	WATER PUMP ALU
590A	T-8400-C	THERMOSTAT
591	T-8203-RK	WATER PUMP ALU REPAIR KIT

PULLER & TOOLS



POS	COD	DESCR
600	10271	PISTON STROKE LOCKER
601	10272-C	CLUTCH HUB PULLER d.45
601	ATT-026	CLUTCH HUB PULLER d.38
601/B	10159	CLUTCH HUB PULLER WRENCH 12mm
602	10200	PISTON PIN PUNCH 14mm
603	S884	STARTER WHEEL LOCKING TOOL
604	10120	CIRCLIP ASSEMBLING TOOL 14mm

ss./Disass. Timing control group



POS	COD	DESCR
650	10110A	CRANKSHAFT ASSY TOOL
650	ATT-074A	CRANKSHAFT ASSEMBLY TOOL (ROLLER BEARINGS)
652	10150A	CRANK-PIN BUSH 20mm
661	10107	CRANK-PIN PUSHER
663	10104A	CRANKSHAFT PLATE 125cc
664	10100	CRANKSH. DISASSY SUPPORT
668	10106	CRANKSHAFT INSERT 125cc-SUP
690A	10820A	TIMING CHECK DISC TaG/REEDSTER
691A	10828-C	TIMING CHECK DISC ADAPTER M10